

# SLV-X717ME/X717PS/X717SG/X817ME/X817PS/X817SG/ X827AS/X827MN/X827NZ/X837AS/X837ME/X837MN RMT-V195D/V198D/V204

## SERVICE MANUAL

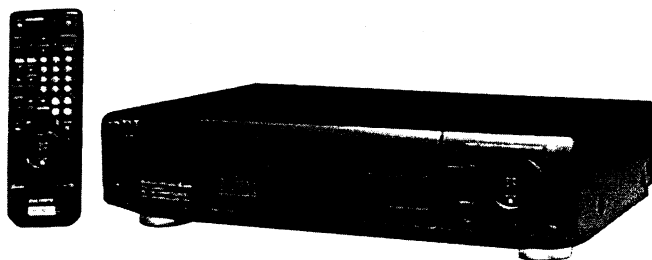


Photo : SLV-X837MN

VHS

H MECHANISM

- Refer to the **SERVICE MANUAL of VHS MECHANICAL ADJUSTMENTS IV** for **MECHANICAL ADJUSTMENTS.** (9-973-623-11)

*Australian Model*

SLV-X827AS/X837AS

*New Zealand Model*

SLV-X827NZ

*ME Model*

SLV-X717ME/X717SG/X817ME/  
X817SG/X837ME

*E Model*

SLV-X717PS/X817PS/X827MN/  
X837MN

## SPECIFICATIONS

### System

#### Channel coverage

##### VHF

AS0 to AS12, AS5A, AS9A (SLV-X827AS/X837AS)

NZ1 to NZ11, R1 to R12 (SLV-X827NZ)

R1 to R12, E2 to E12 (SLV-X717/X817)

R1 to R12, E2 to E12, NZ1 to NZ9 (SLV-X827MN/  
X837ME/X837MN)

##### UHF

AS28 to AS69 (SLV-X827AS/X837AS)

E21 to E69 (SLV-X827NZ)

E21 to E69, R21 to R69 (SLV-X717/X817/X827MN/  
X837ME/X837MN)

CATV S01 to S05, S1 to S41

#### RF output signal

##### UHF channels

28 to 69 (SLV-X827AS/X837AS)

21 to 69 (EXCEPT SLV-X827AS/X837AS)

#### Aerial out

75-ohm asymmetrical aerial socket

### Inputs and outputs

#### LINE-1 IN and LINE-2 IN

VIDEO IN, phono jack (1 each)

Input signal: 1 Vp-p, 75 ohms, unbalanced, sync  
negative

AUDIO IN, phono jack (2 each)

Input level: 327 mVrms

Input impedance: more than 47 kilohms

#### LINE OUT

VIDEO OUT, phono jack (1)

Output signal: 1 Vp-p, 75 ohms, unbalanced,  
sync negative

AUDIO OUT, phono jack (2)

Standard output: 327 mVrms

Load impedance: 47 kilohms

Output impedance: less than 10 kilohms

### General

#### Power requirements

110 - 240 V AC, 50/60 Hz (EXCEPT SLV-X827AS/  
X827NZ/X837AS)

220 - 240 V AC, 50 Hz (SLV-X827AS/X827NZ/X837AS)

#### Power consumption

19 W (SLV-X717/X817)

20 W (SLV-X827AS/X827NZ/X837AS)

22 W (SLV-X827MN/X837ME/X837MN)

#### Operating temperature

5°C to 40°C

#### Storage temperature

-20°C to 60°C

#### Dimensions

Approx. 430 x 109 x 321 mm (w/h/d)  
including projecting parts and controls

#### Mass

Approx. 4.5 kg (SLV-X717/X817/X827)

Approx. 4.7 kg (SLV-X837)

### Supplied accessories

Remote commander (1)

R6 (size AA) batteries (2)

Aerial cable (1)

Audio/video cable (3-phono to 3-phono) (1)

Design and specifications are subject to change  
without notice.

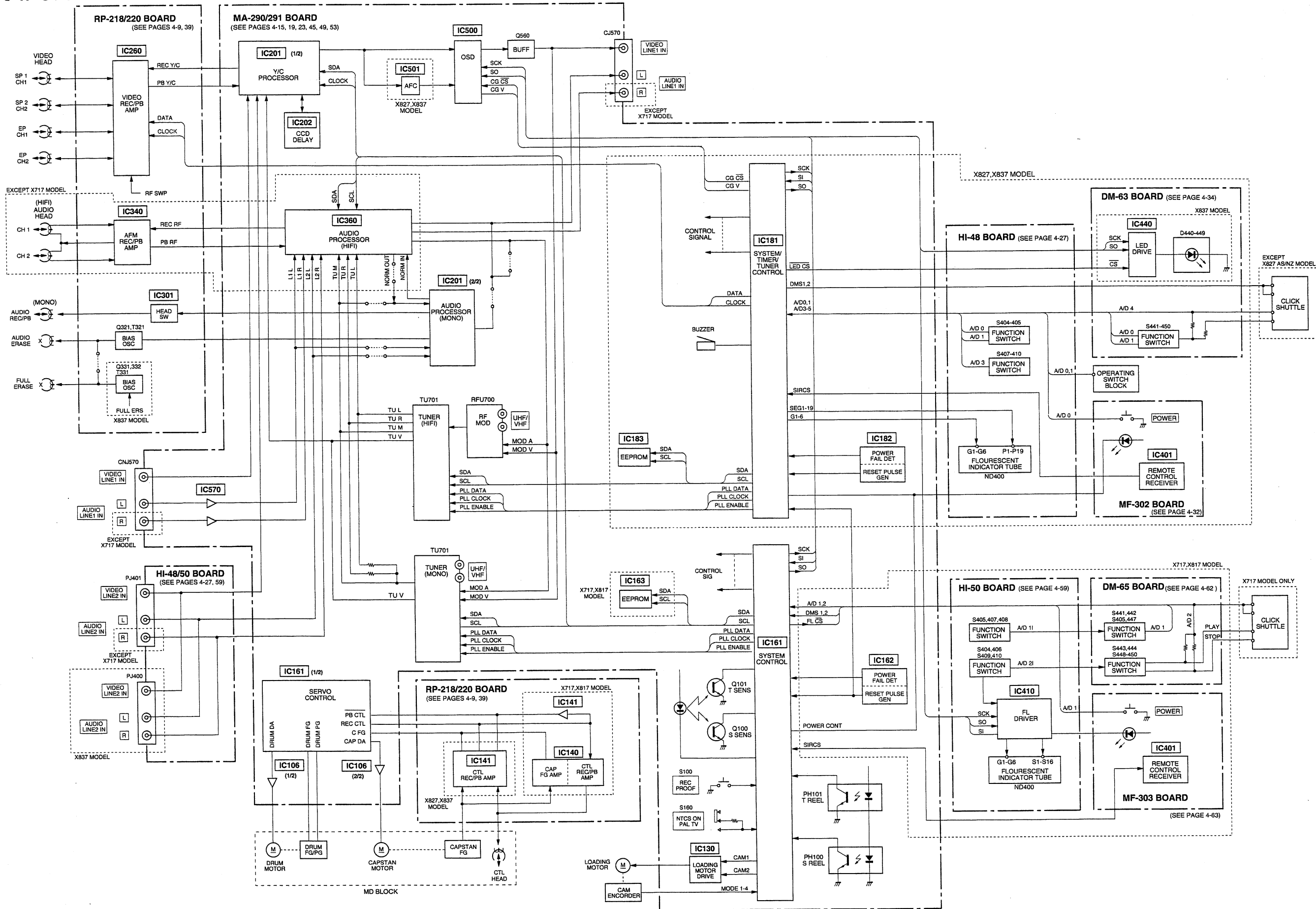
## VIDEO CASSETTE RECORDER



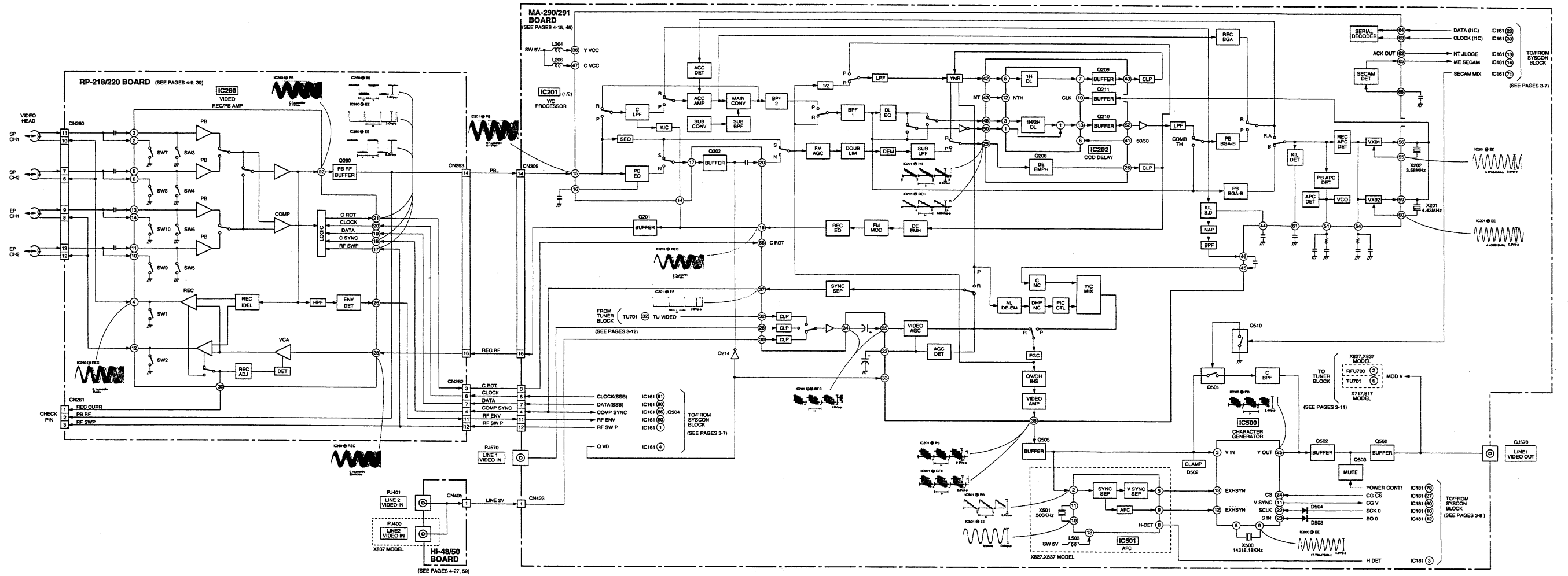
# SONY®

SECTION 3  
BLOCK DIAGRAMS

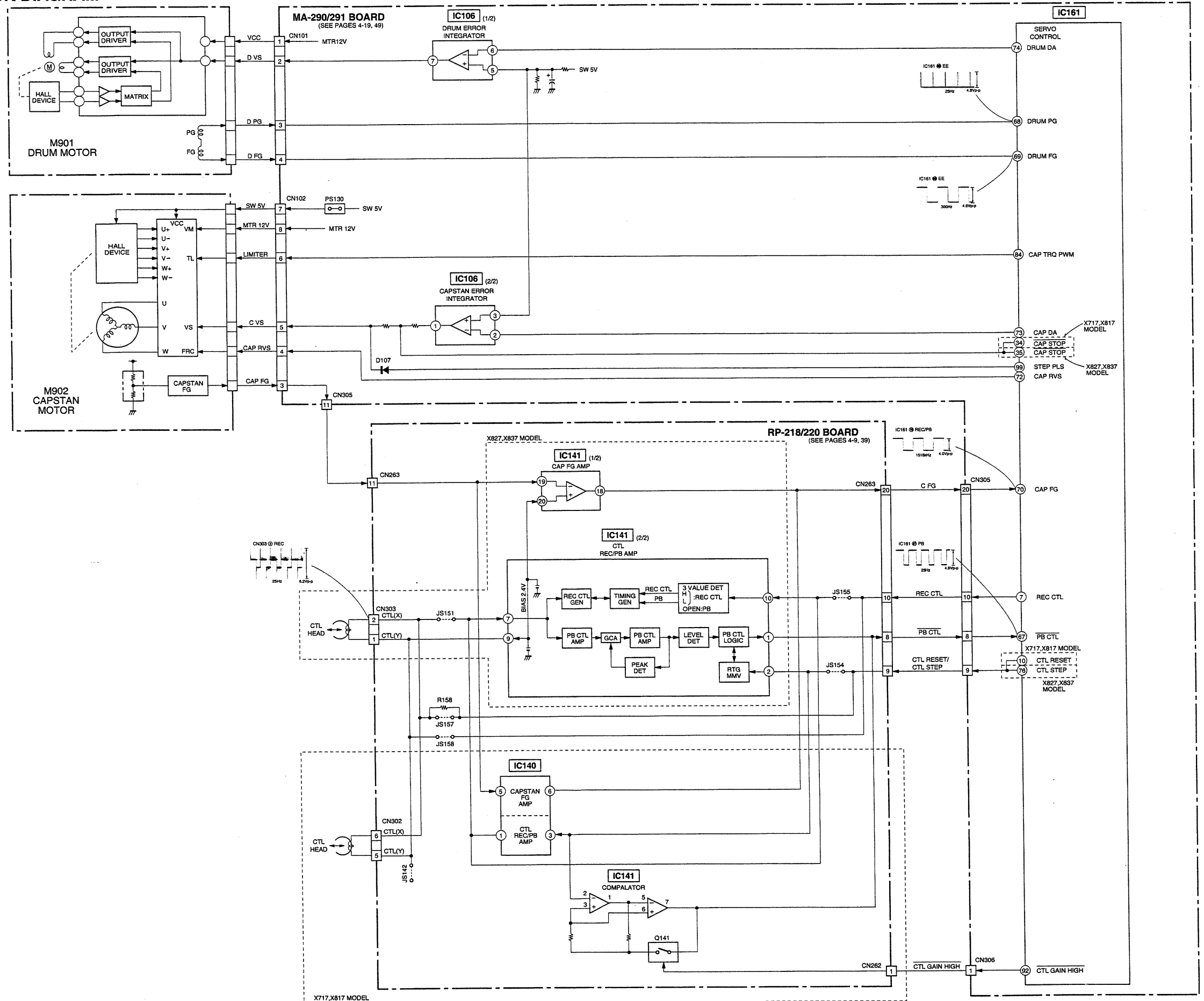
3-1. OVERALL BLOCK DIAGRAM



3-2. VIDEO BLOCK DIAGRAM

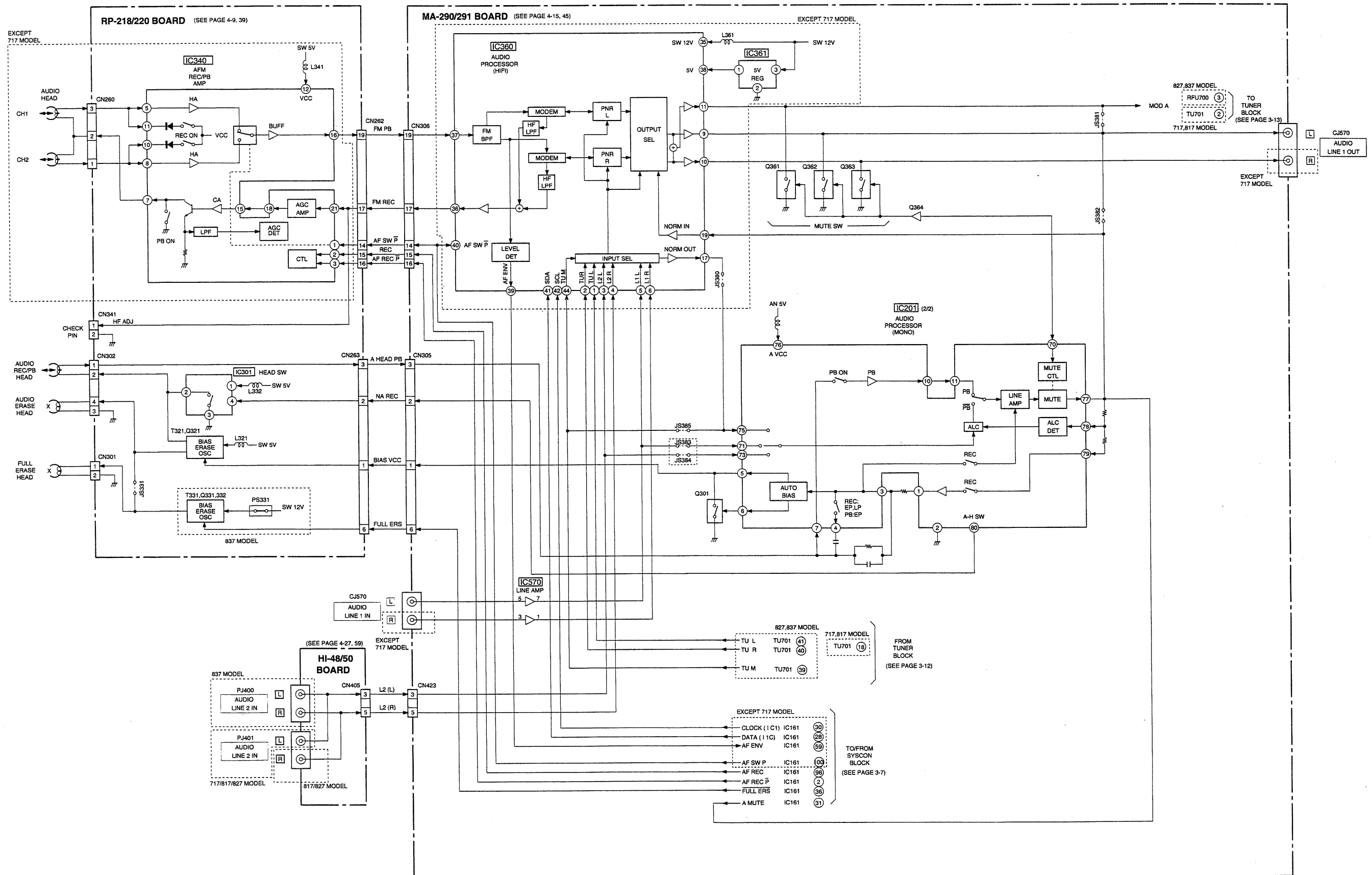


3-3. SERVO BLOCK DIAGRAM



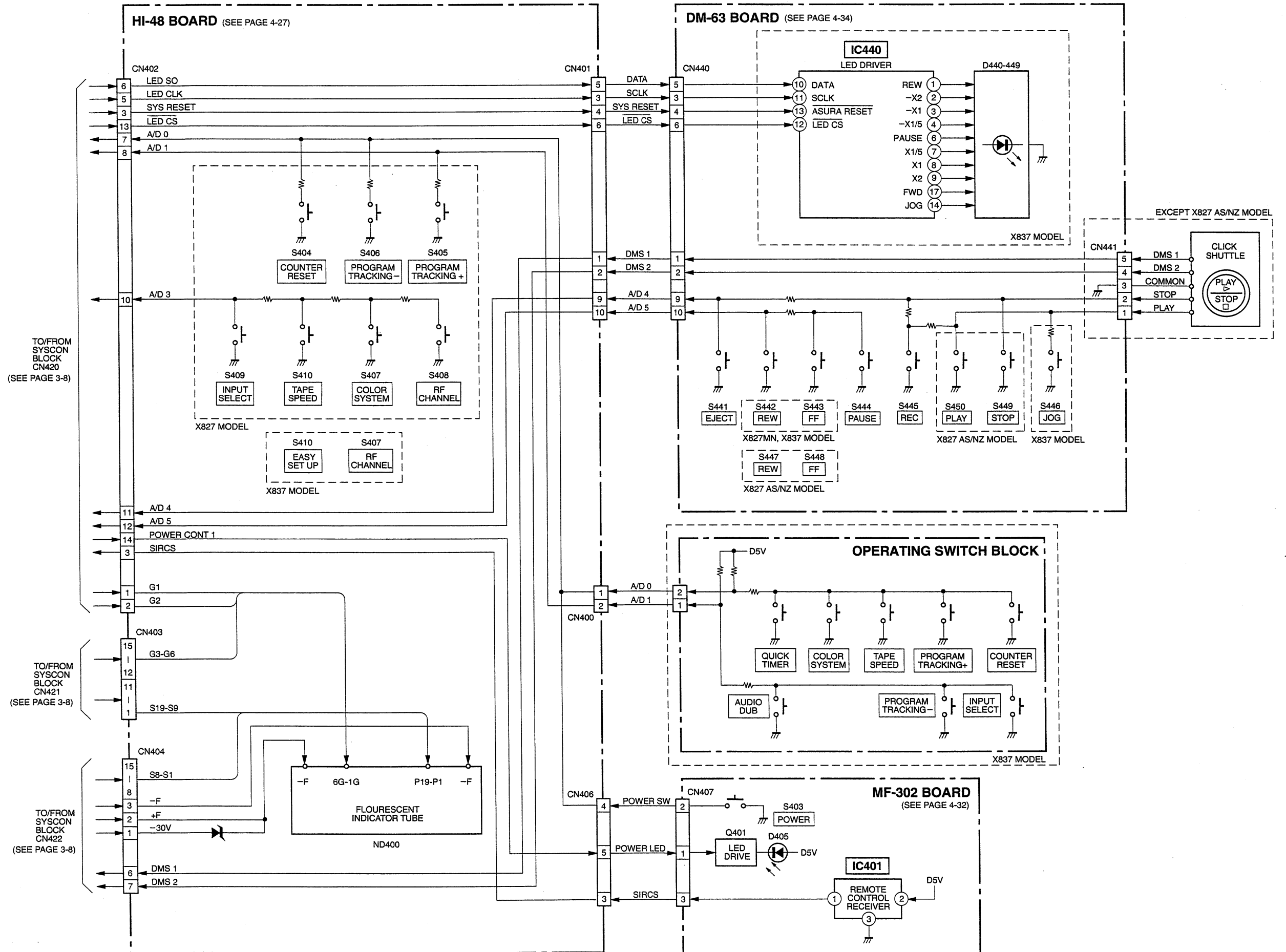


3-5. AUDIO BLOCK DIAGRAM



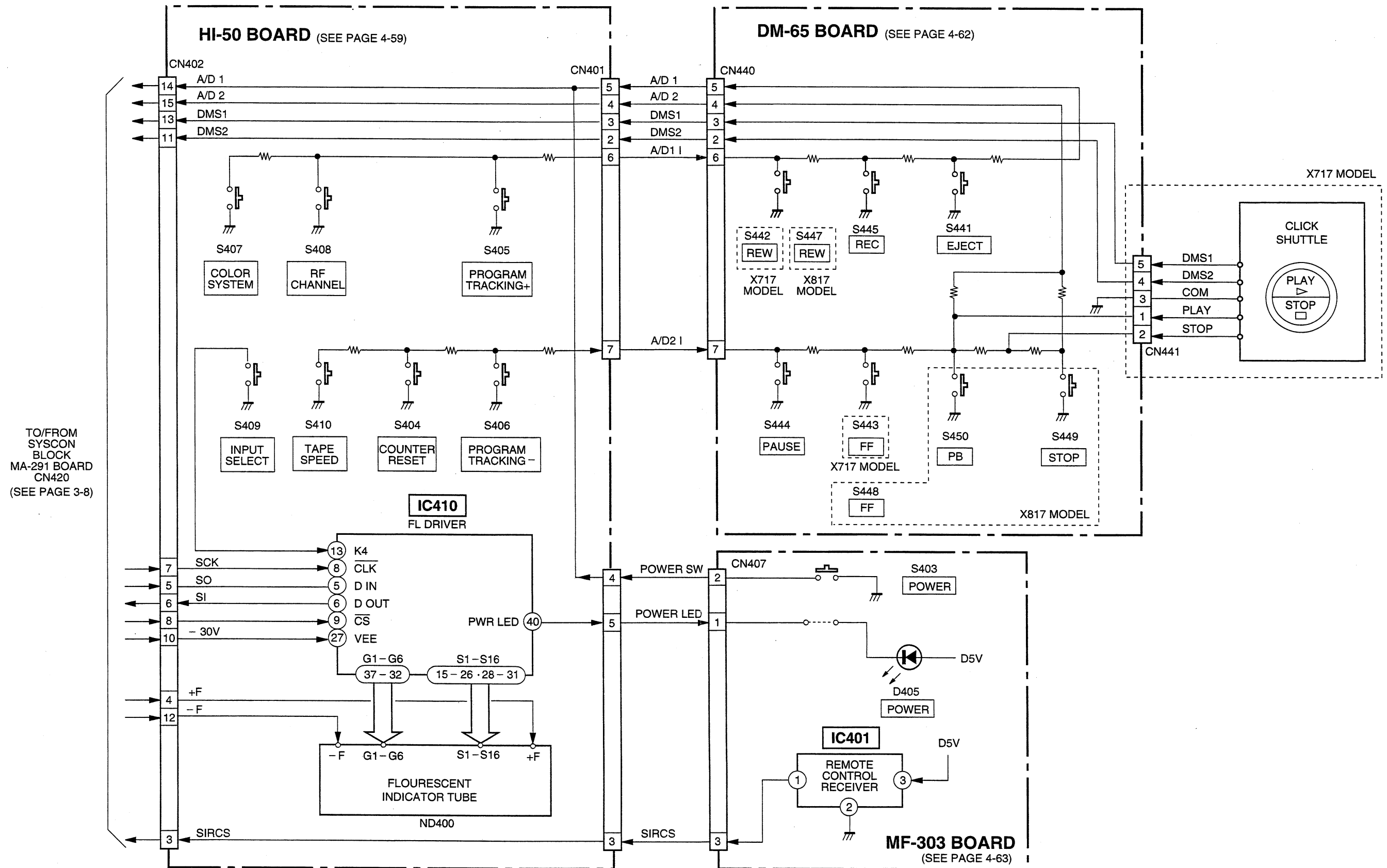


3-7. SLV-X827/X837 MODE CONTROL BLOCK DIAGRAM

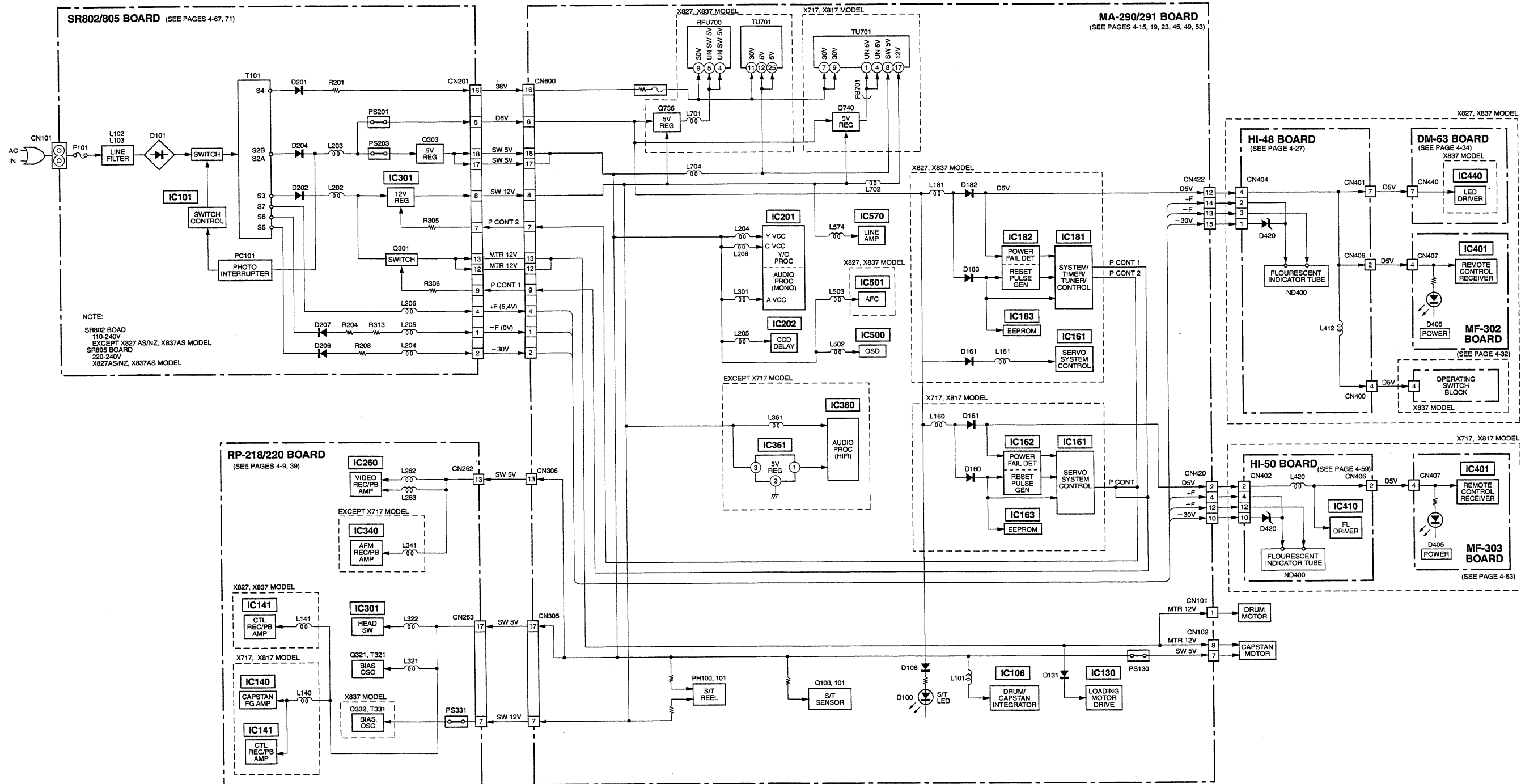




3-8. SLV-X717/X817 MODE CONTROL BLOCK DIAGRAM

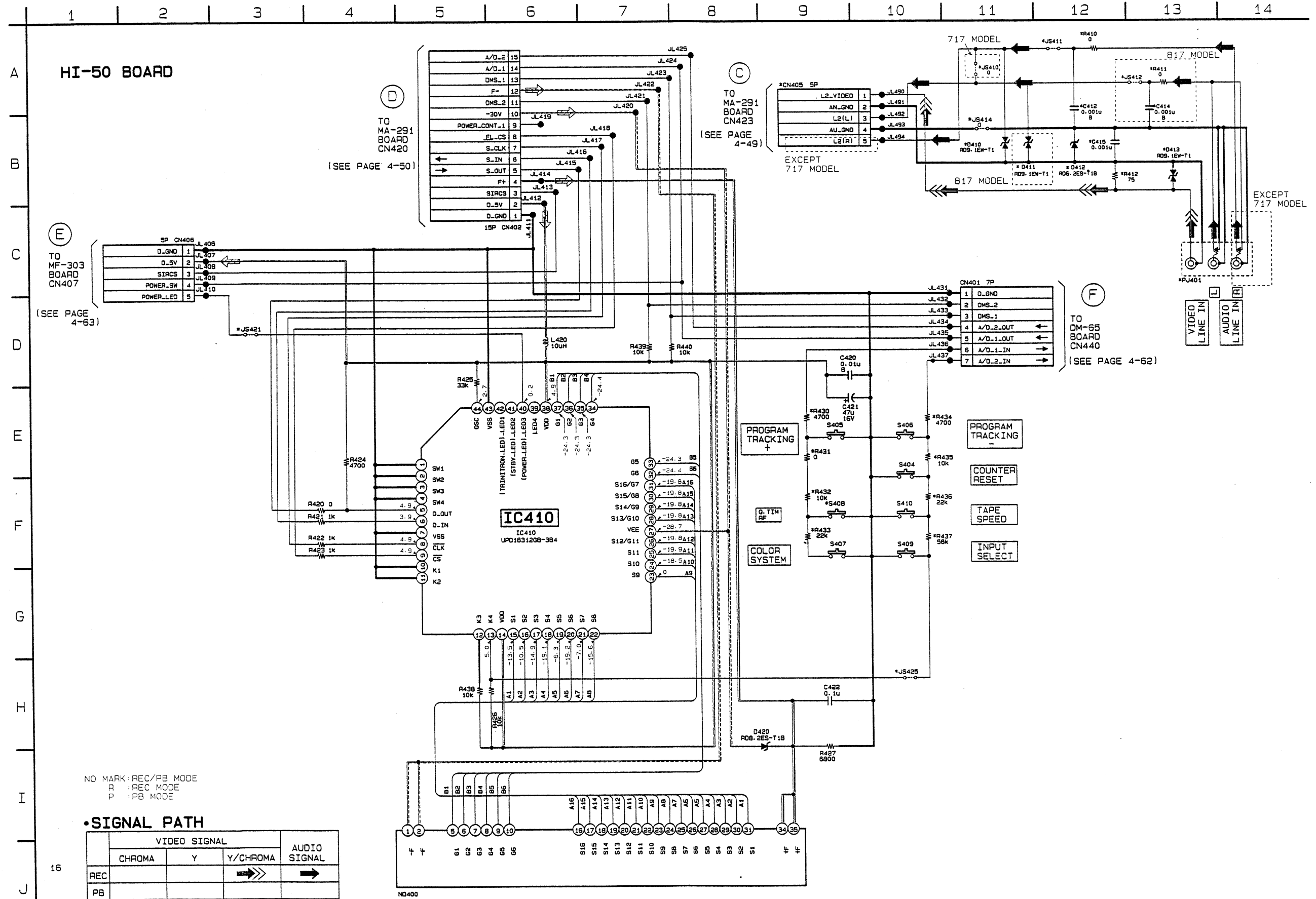


3-9. POWER SUPPLY BLOCK DIAGRAM



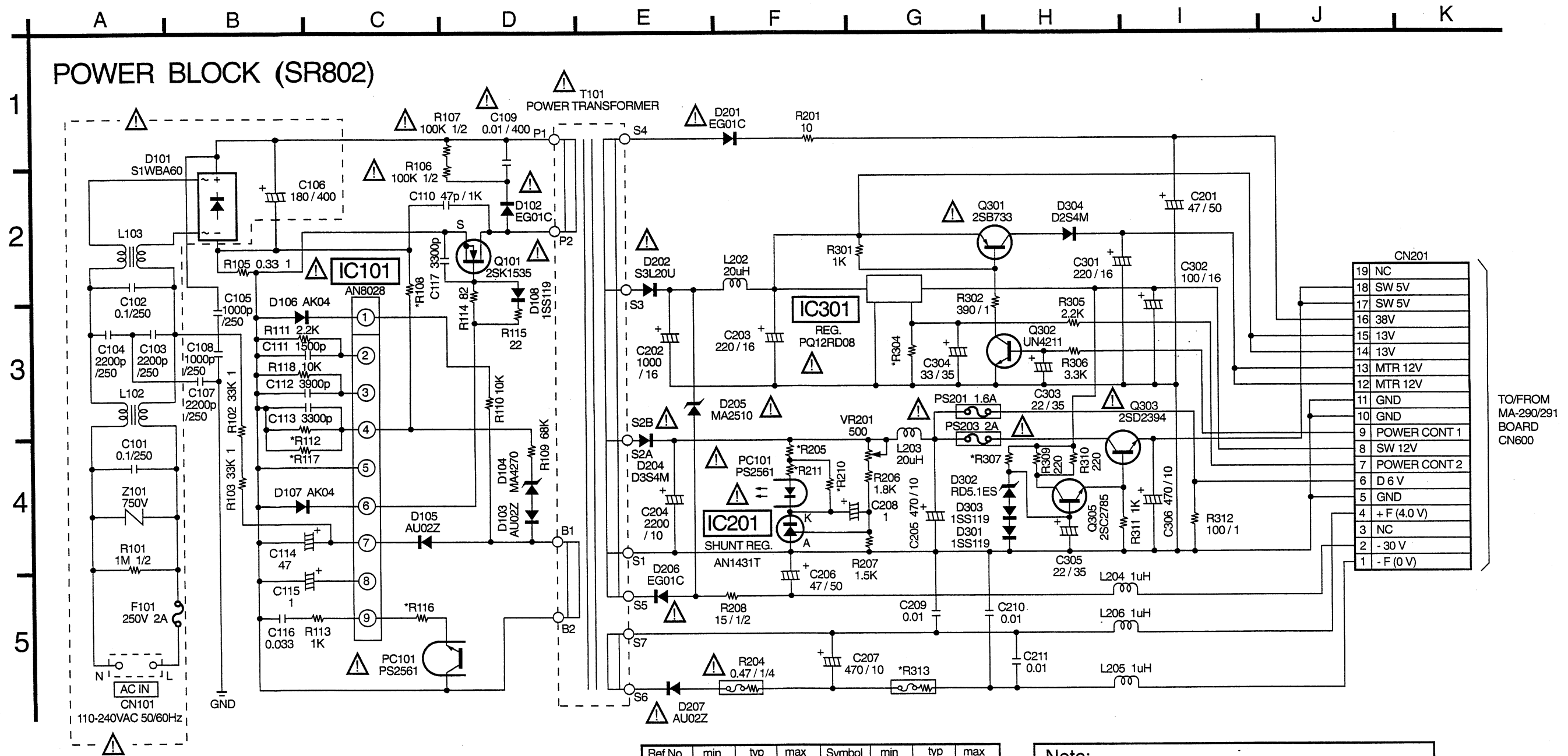
HI-50 (MODE CONTROL SWITCHES) SCHEMATIC DIAGRAM  
— Ref. No. HI-50 Board; 4,000 Series —

• See page 4-57 for HI-50 BOARD printed wiring board.



POWER BLOCK SR802 (EXCEPT SLV-X827 AS/X827NZ/X837AS) SCHEMATIC DIAGRAM  
— Ref. No. SR802 Board; 5,000 Series —

• See page 4-65 for SR802 BOARD printed wiring board.

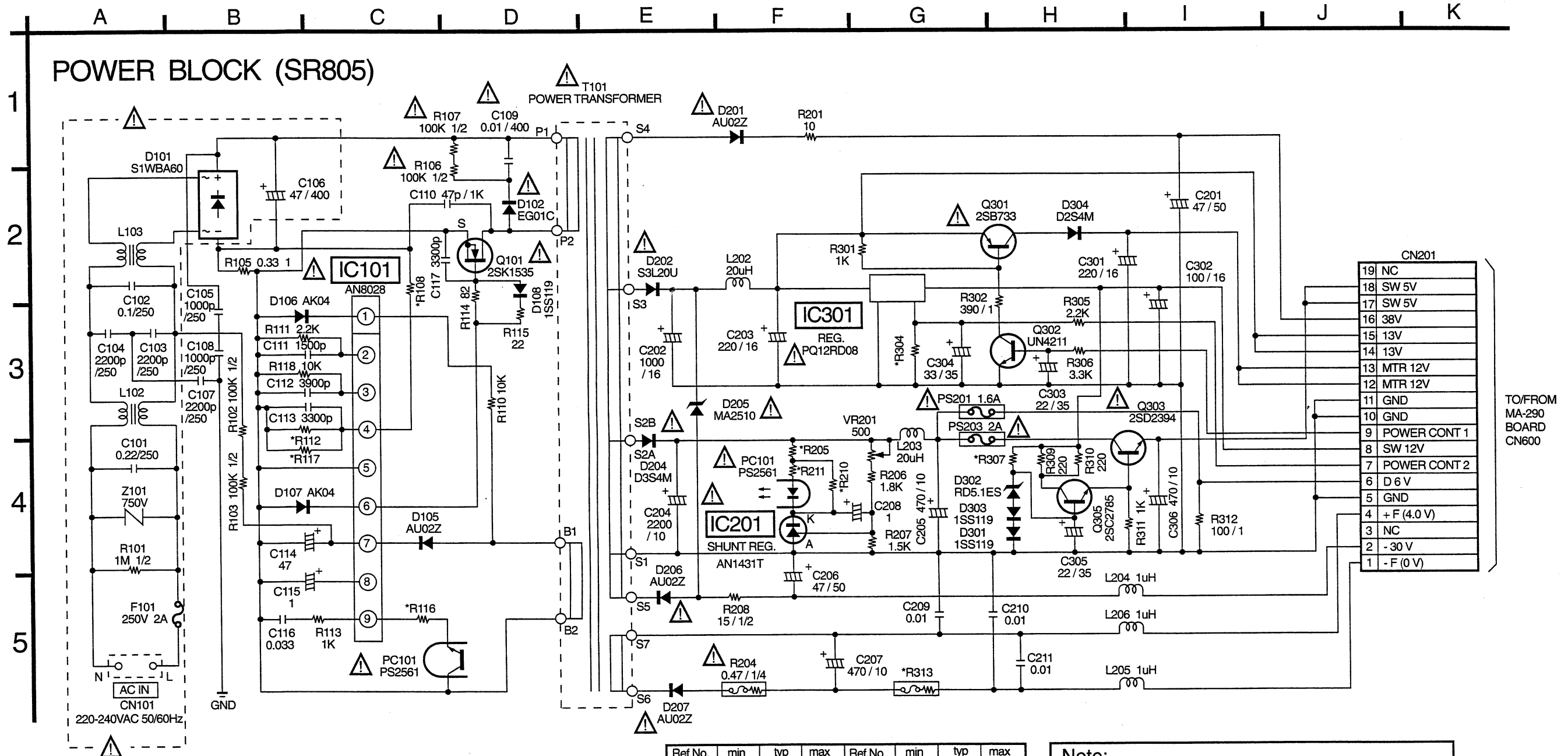


Ref.No.	min	typ	max	Symbol	min	typ	max
*R108	470 1/2	470 1/2	500 1/2	*R210	—	3.3K	5.6K
*R112	270	330	330	*R211	220	1K	1.5K
*R116	1.5K	1.8K	2.2K	*R304	—	—	—
*R117	—	—	100K	*R307	380	560	1K
*R205	—	—	—	*R313	2.2 1/4	2.7 1/4	3.9 1/4

**Note:**  
The components identified by mark  $\Delta$  or dotted line with mark  $\Delta$  are critical for safety.  
Replace only with part number specified.

POWER BLOCK SR805 (SLV-X827AS/X827NZ/X837AS) SCHEMATIC DIAGRAM  
— Ref. No. SR805 Board; 6,000 Series —

• See page 4-69 for SR805 BOARD printed wiring board.



Ref.No.	min	typ	max	Ref.No.	min	typ	max
*R108	330 1/2	470 1/2	680 1/2	*R210	—	3.3K	5.6K
*R112	270	330	330	*R211	220	1K	1.5K
*R116	1.5K	1.8K	2.2K	*R304	—	—	—
*R117	—	—	100K	*R307	380	560	1K
*R205	—	—	—	*R313	2.2 1/4	2.7 1/4	3.9 1/4

Note:  
The components identified by mark  $\Delta$  or dotted line with mark  $\Delta$  are critical for safety.  
Replace only with part number specified.



Ref. No.	Part No.	Description	Remarks	Ref. No.	Part No.	Description	Remarks
*	A-6791-163-A	DM-65 BOARD, COMPLETE(817) *****				< JUMPER RESISTOR >	
*	A-6791-167-A	DM-65 BOARD, COMPLETE(717) ***** (Ref.No.:4,000 Series)		JR401	1-216-295-00	METAL CHIP      0      5%	1/10W
				JR402	1-216-296-00	METAL CHIP      0      5%	1/8W
				JR405	1-216-295-00	METAL CHIP      0      5%	1/10W
		< CONNECTOR >				< JUMPER RESISTOR >	
CN440	1-770-031-11	CONNECTOR, BOARD TO BOARD 7P		JS414	1-216-295-00	METAL CHIP      0      5%	1/10W
CN441	1-774-471-41	CONNECTOR, FFC/FPC 5P(717)				< COIL >	
		< RESISTOR >		L412	1-410-521-11	INDUCTOR      100uH (837)	
R441	1-216-057-00	METAL CHIP      2.2K      5%	1/10W	L413	1-410-501-11	INDUCTOR      2.2uH (837)	
R442	1-216-057-00	METAL CHIP      2.2K      5%	1/10W			< FLUORECENT INDICATOR >	
R443	1-216-061-00	METAL CHIP      3.3K      5%	1/10W	ND400	1-517-594-11	TUBE, FLUORESCENT INDICATOR(837)	
R444	1-216-295-00	METAL CHIP      0      5%	1/10W	ND400	1-517-594-21	TUBE, FLUORESCENT INDICATOR(827)	
R445	1-216-057-00	METAL CHIP      2.2K      5%	1/10W			< JACK >	
R446	1-216-057-00	METAL CHIP      2.2K      5%	1/10W	PJ400	1-766-861-11	JACK, PIN (3P)(LINE-2 IN) (837)	
R447	1-216-061-00	METAL CHIP      3.3K      5%	1/10W	PJ401	1-774-509-11	JACK, PIN 3P(LINE-2 IN) (827)	
		< SWITCH >				< RESISTOR >	
S441	1-571-977-11	SWITCH, TACTIL(EJECT)		R410	1-216-295-00	METAL CHIP      0      5%	1/10W
S442	1-571-977-11	SWITCH, TACTIL(REW) (717)		R411	1-216-295-00	METAL CHIP      0      5%	1/10W
S443	1-571-977-11	SWITCH, TACTIL(FF) (717)		R412	1-216-022-00	METAL CHIP      75      5%	1/10W
S444	1-571-977-11	SWITCH, TACTIL(PAUSE)		R420	1-216-073-00	METAL CHIP      10K      5%	1/10W (827)
S445	1-571-977-11	SWITCH, TACTIL(REC)		R420	1-216-095-00	METAL CHIP      82K      5%	1/10W (837)
S447	1-571-977-11	SWITCH, TACTIL(REW) (817)		R421	1-216-073-00	METAL CHIP      10K      5%	1/10W (827)
S448	1-571-977-11	SWITCH, TACTIL(FF) (817)		R421	1-216-095-00	METAL CHIP      82K      5%	1/10W (837)
S449	1-571-977-11	SWITCH, TACTIL(STOP)(817)		R422	1-216-073-00	METAL CHIP      10K      5%	1/10W
S450	1-571-977-11	SWITCH, TACTIL(PLAY)(817)		R423	1-216-073-00	METAL CHIP      10K      5%	1/10W
				R424	1-216-073-00	METAL CHIP      10K      5%	1/10W
*	A-6791-155-A	HI-48 BOARD, COMPLETE(837) *****		R425	1-216-073-00	METAL CHIP      10K      5%	1/10W
*	A-6791-160-A	HI-48 BOARD, COMPLETE(827) ***** (Ref.No.:3,000 Series)		R427	1-216-069-00	METAL CHIP      6.8K      5%	1/10W
				R430	1-216-089-00	METAL CHIP      47K      5%	1/10W (827)
*	3-972-792-01	HOLDER (129), FL (827)		R431	1-216-075-00	METAL CHIP      12K      5%	1/10W (827)
		< CAPACITOR >		R432	1-216-075-00	METAL CHIP      12K      5%	1/10W (827)
C412	1-163-009-11	CERAMIC CHIP      0.001uF      10%	50V	R433	1-216-061-00	METAL CHIP      3.3K      5%	1/10W (827)
C414	1-163-009-11	CERAMIC CHIP      0.001uF      10%	50V	R434	1-216-057-00	METAL CHIP      2.2K      5%	1/10W (827)
C415	1-163-009-11	CERAMIC CHIP      0.001uF      10%	50V	R434	1-216-065-00	METAL CHIP      4.7K      5%	1/10W (837)
* C422	1-165-319-11	CERAMIC CHIP      0.1uF      50V		R435	1-216-057-00	METAL CHIP      2.2K      5%	1/10W (827)
		< CONNECTOR >		R435	1-216-071-00	METAL CHIP      8.2K      5%	1/10W (837)
CN400	1-691-036-21	PIN, CONNECTOR (PC BOARD) 4P(837)				< SWITCH >	
* CN401	1-691-407-11	CONNECTOR, BOARD TO BOARD 10P		S404	1-571-977-11	SWITCH, TACTIL(COUNTER RESET) (827)	
CN402	1-691-074-11	HOUSING, CONNECTOR 15P		S405	1-571-977-11	SWITCH, TACTIL(PROGRAM +) (827)	
CN403	1-691-074-11	HOUSING, CONNECTOR 15P		S406	1-571-977-11	SWITCH, TACTIL(PROGRAM -) (827)	
CN404	1-691-074-11	HOUSING, CONNECTOR 15P		S407	1-571-977-11	SWITCH, TACTIL(EASY SET UP)	
CN405	1-506-484-11	PIN, CONNECTOR 5P		S408	1-571-977-11	SWITCH, TACTIL(RF CHANNEL) (827)	
CN406	1-691-064-31	HOUSING, CONNECTOR 5P		S409	1-571-977-11	SWITCH, TACTIL(INPUT SELECT) (827)	
		< DIODE >		S410	1-571-977-11	SWITCH, TACTIL(RF CHANNEL)	
D410	8-719-108-12	DIODE RD9.1E-W					
D411	8-719-108-12	DIODE RD9.1E-W					
D412	8-719-109-93	DIODE RD6.2ES-B2					
D413	8-719-108-12	DIODE RD9.1E-W					
D420	8-719-110-08	DIODE RD8.2ES-B2					





Ref. No.	Part No.	Description	Remarks	Ref. No.	Part No.	Description	Remarks
C163	1-163-009-11	CERAMIC CHIP	0.001uF 10% 50V	C246	1-109-982-11	CERAMIC CHIP	1uF 10% 10V
C164	1-163-227-11	CERAMIC CHIP	10PF 0.5PF 50V	C247	1-163-809-11	CERAMIC CHIP	0.047uF 10% 25V
C165	1-163-229-11	CERAMIC CHIP	12PF 5% 50V	C248	1-164-232-11	CERAMIC CHIP	0.01uF 50V
C166	1-163-038-00	CERAMIC CHIP	0.1uF 25V	C249	1-124-589-11	ELECT	47uF 20% 16V
C167	1-163-038-00	CERAMIC CHIP	0.1uF 25V	C250	1-163-038-00	CERAMIC CHIP	0.1uF 25V
C169	1-163-038-00	CERAMIC CHIP	0.1uF 25V	C251	1-163-038-00	CERAMIC CHIP	0.1uF 25V
C181	1-164-232-11	CERAMIC CHIP	0.01uF 50V	C252	1-164-232-11	CERAMIC CHIP	0.01uF 50V
C182	1-164-232-11	CERAMIC CHIP	0.01uF 50V	C253	1-164-004-11	CERAMIC CHIP	0.1uF 10% 25V
C183	1-164-232-11	CERAMIC CHIP	0.01uF 50V	C254	1-164-489-11	CERAMIC CHIP	0.22uF 10% 16V
C184	1-164-232-11	CERAMIC CHIP	0.01uF 50V	C255	1-163-227-11	CERAMIC CHIP	10PF 0.5PF 50V
C185	1-126-916-11	ELECT	1000uF 20% 6.3V	C301	1-163-038-00	CERAMIC CHIP	0.1uF 25V
C186	1-163-038-00	CERAMIC CHIP	0.1uF 25V	C302	1-124-589-11	ELECT	47uF 20% 16V
C187	1-126-935-11	ELECT	470uF 20% 6.3V	C305	1-126-160-11	ELECT	1uF 20% 50V
C189	1-163-038-00	CERAMIC CHIP	0.1uF 25V	C306	1-126-160-11	ELECT	1uF 20% 50V
C190	1-104-905-11	CAPACITOR	0.22F 5.5V	C307	1-124-261-00	ELECT	10uF 20% 50V
C191	1-126-935-11	ELECT	470uF 20% 6.3V	C308	1-124-589-11	ELECT	47uF 20% 16V
C192	1-164-232-11	CERAMIC CHIP	0.01uF 50V	C309	1-126-963-11	ELECT	4.7uF 20% 50V
C193	1-163-038-00	CERAMIC CHIP	0.1uF 25V	C310	1-163-011-11	CERAMIC CHIP	0.0015uF 10% 50V
C194	1-164-232-11	CERAMIC CHIP	0.01uF 50V	C311	1-163-011-11	CERAMIC CHIP	0.0015uF 10% 50V
C195	1-164-004-11	CERAMIC CHIP	0.1uF 10% 25V	C312	1-137-370-11	FILM	0.01uF 5% 50V
C196	1-163-231-11	CERAMIC CHIP	15PF 5% 50V	C313	1-124-261-00	ELECT	10uF 20% 50V
C197	1-163-229-11	CERAMIC CHIP	12PF 5% 50V	C314	1-164-232-11	CERAMIC CHIP	0.01uF 50V
C201	1-109-982-11	CERAMIC CHIP	1uF 10% 10V	C315	1-126-160-11	ELECT	1uF 20% 50V
C202	1-163-809-11	CERAMIC CHIP	0.047uF 10% 25V	C317	1-126-163-11	ELECT	4.7uF 20% 50V
C204	1-164-232-11	CERAMIC CHIP	0.01uF 50V	C318	1-124-589-11	ELECT	47uF 20% 16V
C205	1-163-037-11	CERAMIC CHIP	0.022uF 10% 25V	C361	1-164-489-11	CERAMIC CHIP	0.22uF 10% 16V
C206	1-164-232-11	CERAMIC CHIP	0.01uF 50V	C362	1-164-489-11	CERAMIC CHIP	0.22uF 10% 16V
C207	1-164-232-11	CERAMIC CHIP	0.01uF 50V	C363	1-126-160-11	ELECT	1uF 20% 50V
C208	1-163-241-11	CERAMIC CHIP	39PF 5% 50V	C364	1-126-160-11	ELECT	1uF 20% 50V
C209	1-124-234-00	ELECT	22uF 20% 16V	C365	1-126-160-11	ELECT	1uF 20% 50V
C210	1-163-131-00	CERAMIC CHIP	390PF 5% 50V	C366	1-126-160-11	ELECT	1uF 20% 50V
C211	1-163-239-11	CERAMIC CHIP	33PF 5% 50V	C369	1-126-964-11	ELECT	10uF 20% 50V
C213	1-163-251-11	CERAMIC CHIP	100PF 5% 50V	C370	1-126-964-11	ELECT	10uF 20% 50V
C214	1-163-251-11	CERAMIC CHIP	100PF 5% 50V	C371	1-126-964-11	ELECT	10uF 20% 50V
C215	1-163-259-91	CERAMIC CHIP	220PF 5% 50V	C372	1-126-964-11	ELECT	10uF 20% 50V
C217	1-109-982-11	CERAMIC CHIP	1uF 10% 10V	C373	1-126-964-11	ELECT	10uF 20% 50V
C219	1-163-038-00	CERAMIC CHIP	0.1uF 25V	C374	1-126-160-11	ELECT	1uF 20% 50V
C220	1-109-982-11	CERAMIC CHIP	1uF 10% 10V	C375	1-137-378-11	FILM	0.22uF 5% 50V
C222	1-163-038-00	CERAMIC CHIP	0.1uF 25V	C376	1-137-437-11	FILM	0.0056uF 5% 50V
C223	1-124-589-11	ELECT	47uF 20% 16V	C377	1-126-967-11	ELECT	47uF 20% 16V
C224	1-163-038-00	CERAMIC CHIP	0.1uF 25V	C378	1-126-964-11	ELECT	10uF 20% 50V
C226	1-163-038-00	CERAMIC CHIP	0.1uF 25V	C379	1-124-257-00	ELECT	2.2uF 20% 50V
C228	1-124-261-00	ELECT	10uF 20% 50V	C380	1-126-964-11	ELECT	10uF 20% 50V
C229	1-163-038-00	CERAMIC CHIP	0.1uF 25V	C381	1-126-967-11	ELECT	47uF 20% 16V
C230	1-124-589-11	ELECT	47uF 20% 16V	C382	1-137-437-11	FILM	0.0056uF 5% 50V
C231	1-124-261-00	ELECT	10uF 20% 50V	C383	1-137-378-11	FILM	0.22uF 5% 50V
C232	1-109-982-11	CERAMIC CHIP	1uF 10% 10V	C384	1-163-037-11	CERAMIC CHIP	0.022uF 10% 25V
C233	1-109-982-11	CERAMIC CHIP	1uF 10% 10V	C385	1-126-933-11	ELECT	100uF 20% 16V
C234	1-164-232-11	CERAMIC CHIP	0.01uF 50V	C386	1-163-037-11	CERAMIC CHIP	0.022uF 10% 25V
C235	1-164-232-11	CERAMIC CHIP	0.01uF 50V	C387	1-126-933-11	ELECT	100uF 20% 16V
C236	1-109-982-11	CERAMIC CHIP	1uF 10% 10V	C388	1-126-967-11	ELECT	47uF 20% 16V
C237	1-164-232-11	CERAMIC CHIP	0.01uF 50V	C389	1-163-809-11	CERAMIC CHIP	0.047uF 10% 25V
C238	1-163-038-00	CERAMIC CHIP	0.1uF 25V	C390	1-164-489-11	CERAMIC CHIP	0.22uF 10% 16V
C239	1-124-589-11	ELECT	47uF 20% 16V	C391	1-163-037-11	CERAMIC CHIP	0.022uF 10% 25V
C240	1-109-982-11	CERAMIC CHIP	1uF 10% 10V	C392	1-163-037-11	CERAMIC CHIP	0.022uF 10% 25V
C241	1-163-037-11	CERAMIC CHIP	0.022uF 10% 25V	C500	1-163-239-11	CERAMIC CHIP	33PF 5% 50V
C242	1-109-982-11	CERAMIC CHIP	1uF 10% 10V	C501	1-164-489-11	CERAMIC CHIP	0.22uF 10% 16V
C243	1-164-232-11	CERAMIC CHIP	0.01uF 50V	C502	1-124-589-11	ELECT	47uF 20% 16V
C244	1-163-038-00	CERAMIC CHIP	0.1uF 25V	C503	1-164-232-11	CERAMIC CHIP	0.01uF 50V
C245	1-163-809-11	CERAMIC CHIP	0.047uF 10% 25V	C504	1-164-004-11	CERAMIC CHIP	0.1uF 10% 25V

**MA-290**

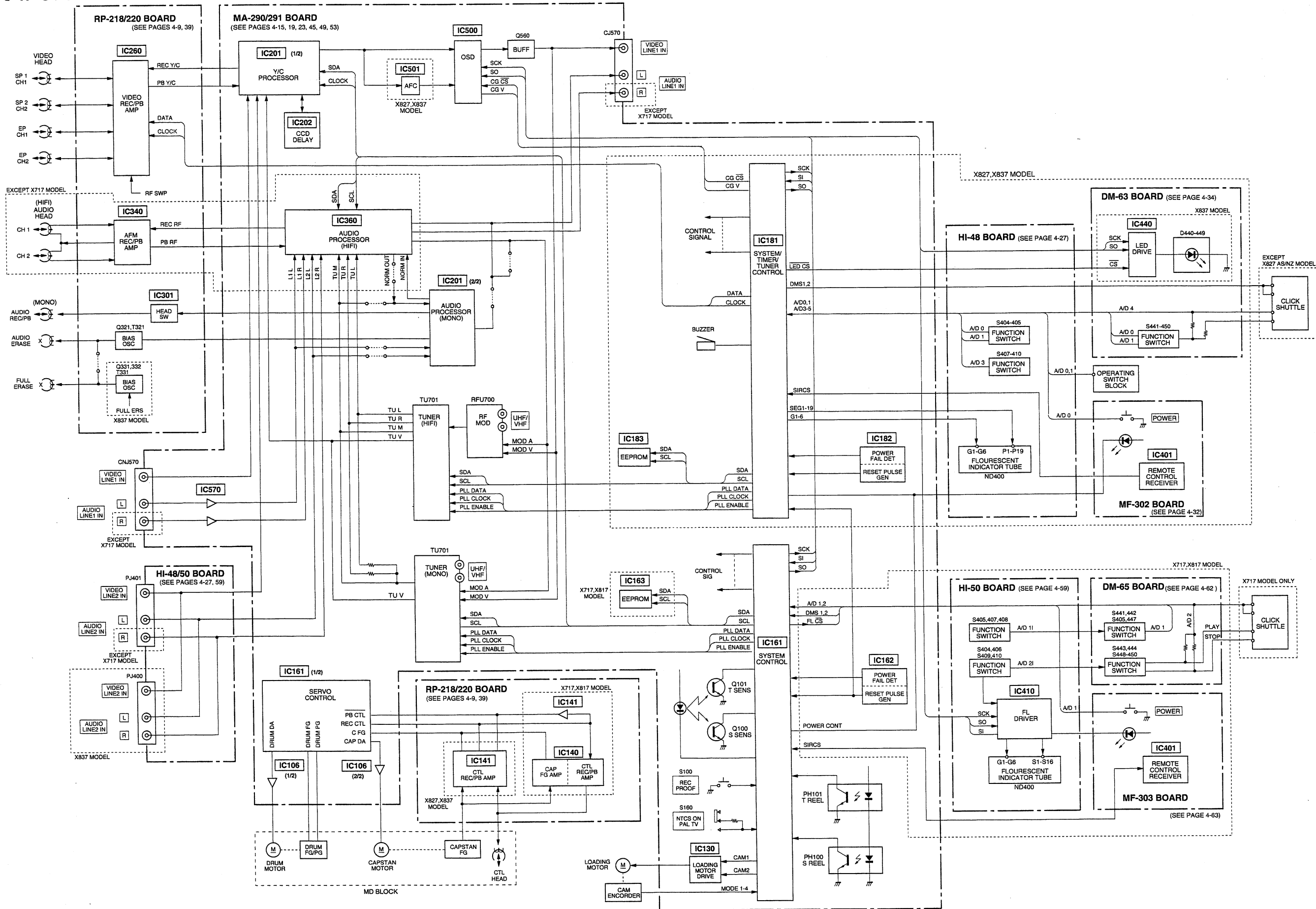
Ref. No.	Part No.	Description	Remarks	Ref. No.	Part No.	Description	Remarks
C505	1-124-589-11	ELECT	47uF 20%	16V	CN423	1-506-470-11	PIN, CONNECTOR 5P
C506	1-164-232-11	CERAMIC CHIP	0.01uF	50V	CN600	1-569-338-11	CONNECTOR, BOARD TO BOARD 19P
C507	1-163-038-00	CERAMIC CHIP	0.1uF	25V			< DIODE >
C508	1-163-239-11	CERAMIC CHIP	33PF	5%			
C509	1-164-505-11	CERAMIC CHIP	2.2uF	16V			
C510	1-124-589-11	ELECT	47uF	20%	D100	8-719-048-26	DIODE GL528V1
C511	1-163-229-11	CERAMIC CHIP	12PF	5%	D107	8-719-911-19	DIODE 1SS119
C512	1-163-235-11	CERAMIC CHIP	22PF	5%	D108	8-719-200-82	DIODE 11ES2
C513	1-164-232-11	CERAMIC CHIP	0.01uF	50V	D131	8-719-200-82	DIODE 11ES2
C514	1-163-235-11	CERAMIC CHIP	22PF	5%	D161	8-719-200-82	DIODE 11ES2
C515	1-124-589-11	ELECT	47uF	20%	D182	8-719-200-82	DIODE 11ES2
C516	1-126-160-11	ELECT	1uF	20%	D183	8-719-200-82	DIODE 11ES2
C517	1-163-239-11	CERAMIC CHIP	33PF	5%	D361	8-719-911-19	DIODE 1SS119
C518	1-124-257-00	ELECT	2.2uF	20%	D501	8-719-911-19	DIODE 1SS119
C519	1-163-139-00	CERAMIC CHIP	820PF	5%	D502	8-719-911-19	DIODE 1SS119
C520	1-163-038-00	CERAMIC CHIP	0.1uF	25V	D503	8-719-911-19	DIODE 1SS119
C521	1-164-232-11	CERAMIC CHIP	0.01uF	50V	D504	8-719-911-19	DIODE 1SS119
C522	1-163-037-11	CERAMIC CHIP	0.022uF	10%	D560	8-719-109-74	DIODE RD4.3ES-B1
C523	1-163-037-11	CERAMIC CHIP	0.022uF	10%	D702	8-719-150-92	DIODE RD33ES-B
C560	1-163-009-11	CERAMIC CHIP	0.001uF	10%	D703	8-719-911-19	DIODE 1SS119
C561	1-126-935-11	ELECT	470uF	20%	D740	8-719-911-19	DIODE 1SS119
C562	1-126-967-11	ELECT	47uF	20%	D741	8-719-109-85	DIODE RD5.1ES-B2
C563	1-126-967-11	ELECT	47uF	20%			< IC >
C564	1-164-232-11	CERAMIC CHIP	0.01uF	50V	IC106	8-759-702-02	IC NJM062M
C573	1-126-160-11	ELECT	1uF	20%	IC130	8-759-353-59	IC LB1643
C574	1-126-160-11	ELECT	1uF	20%	IC161	8-752-884-68	IC CXP87852-016G
C576	1-126-967-11	ELECT	47uF	20%	IC181	8-752-882-25	IC CXP82940-017G
C577	1-126-160-11	ELECT	1uF	20%	IC182	8-759-248-87	IC MM1256XF-BE
C578	1-126-160-11	ELECT	1uF	20%	IC183	8-759-518-23	IC X24C04S8
C701	1-126-967-11	ELECT	47uF	20%	IC201	8-759-464-99	IC LA71511M-MPB(827AS,827NZ)
C702	1-164-232-11	CERAMIC CHIP	0.01uF	50V	IC201	8-759-465-14	IC LA71501M-MPB(827MN,837)
C704	1-164-232-11	CERAMIC CHIP	0.01uF	50V	IC202	8-759-439-50	IC LC89977M-TE-L(827AS,827NZ)
C706	1-126-963-11	ELECT	4.7uF	20%	IC202	8-759-439-51	IC LC89978M-TE-L(827MN,837)
C707	1-163-009-11	CERAMIC CHIP	0.001uF	10%	IC360	8-759-445-22	IC TDA9603H/N2,557
C708	1-126-767-11	ELECT	1000uF	20%	IC361	8-759-708-05	IC NJM78L05A
C709	1-126-933-11	ELECT	100uF	20%	IC500	8-759-446-10	IC MB90089PF-G-179-BND-ER
C710	1-164-232-11	CERAMIC CHIP	0.01uF	50V	IC501	8-759-164-09	IC LA7218M-TE-R
C715	1-128-551-11	ELECT	22uF	20%	IC570	8-759-454-62	IC uPC4558G2-E2
C731	1-126-964-11	ELECT	10uF	20%			< JUMPER RESISTOR >
C732	1-126-964-11	ELECT	10uF	20%	JS001	1-216-295-00	METAL CHIP 0 5% 1/10W
C733	1-126-964-11	ELECT	10uF	20%	JS160	1-216-295-00	METAL CHIP 0 5% 1/10W
C740	1-163-038-00	CERAMIC CHIP	0.1uF	25V			(827AS,827NZ)
C741	1-126-933-11	ELECT	100uF	20%	JS161	1-216-295-00	METAL CHIP 0 5% 1/10W
C742	1-163-009-11	CERAMIC CHIP	0.001uF	10%			(827MN,837)
C743	1-126-933-11	ELECT	100uF	20%	JS202	1-216-295-00	METAL CHIP 0 5% 1/10W
		< JACK >			JS205	1-216-295-00	METAL CHIP 0 5% 1/10W
CJ570	1-779-062-11	JACK, PIN 6P(LINE-1 IN/LINE OUT)			JS206	1-216-295-00	METAL CHIP 0 5% 1/10W
		< CONNECTOR >					(827AS,827NZ)
CN101	1-506-470-11	PIN, CONNECTOR 5P			JS207	1-216-295-00	METAL CHIP 0 5% 1/10W
* CN102	1-766-538-11	CONNECTOR, BOARD TO BOARD 8P					(827AS,827NZ)
* CN103	1-766-537-11	CONNECTOR (HMD) 5P			JS208	1-216-295-00	METAL CHIP 0 5% 1/10W
* CN104	1-766-716-11	CONNECTOR, BOARD TO BOARD 3P					(827MN,837)
CN180	1-506-469-11	PIN, CONNECTOR 4P			JS210	1-216-295-00	METAL CHIP 0 5% 1/10W
CN305	1-573-852-11	CONNECTOR, BOARD TO BOARD 20P			JS501	1-216-295-00	METAL CHIP 0 5% 1/10W
CN306	1-573-852-11	CONNECTOR, BOARD TO BOARD 20P			JS570	1-216-295-00	METAL CHIP 0 5% 1/10W
CN420	1-691-074-11	HOUSING, CONNECTOR 15P			JS571	1-216-295-00	METAL CHIP 0 5% 1/10W
CN421	1-691-074-11	HOUSING, CONNECTOR 15P			JS572	1-216-295-00	METAL CHIP 0 5% 1/10W
CN422	1-691-074-11	HOUSING, CONNECTOR 15P			JS573	1-216-295-00	METAL CHIP 0 5% 1/10W
					JS804	1-216-295-00	METAL CHIP 0 5% 1/10W
					JS805	1-216-295-00	METAL CHIP 0 5% 1/10W

Ref. No.	Part No.	Description	Remarks	Ref. No.	Part No.	Description	Remarks
< COIL >				< RESISTOR >			
L101	1-414-189-31	INDUCTOR 100uH		R100	1-249-400-11	CARBON 39 5%	1/4W F
L161	1-410-509-11	INDUCTOR 10uH		R101	1-249-400-11	CARBON 39 5%	1/4W F
L181	1-410-509-11	INDUCTOR 10uH		R102	1-216-057-00	METAL CHIP 2.2K 5%	1/10W
L201	1-410-516-11	INDUCTOR 39uH		R103	1-216-107-00	METAL CHIP 270K 5%	1/10W
L202	1-414-189-31	INDUCTOR 100uH		R104	1-216-107-00	METAL CHIP 270K 5%	1/10W
L204	1-414-187-11	INDUCTOR 47uH		R105	1-249-413-11	CARBON 470 5%	1/4W F
L205	1-414-189-31	INDUCTOR 100uH		R106	1-216-089-00	METAL CHIP 47K 5%	1/10W
L206	1-414-187-11	INDUCTOR 47uH		R107	1-216-089-00	METAL CHIP 47K 5%	1/10W
L207	1-410-516-11	INDUCTOR 39uH		R108	1-216-295-00	METAL CHIP 0 5%	1/10W
L301	1-414-189-31	INDUCTOR 100uH		R109	1-216-057-00	METAL CHIP 2.2K 5%	1/10W
L361	1-414-189-31	INDUCTOR 100uH		R110	1-216-057-00	METAL CHIP 2.2K 5%	1/10W
L500	1-410-515-11	INDUCTOR 33uH		R111	1-216-103-00	METAL CHIP 180K 5%	1/10W
L501	1-412-470-21	INDUCTOR 22uH		R112	1-216-689-11	METAL CHIP 39K 0.5%	1/10W
L502	1-414-189-31	INDUCTOR 100uH		R113	1-216-073-00	METAL CHIP 10K 5%	1/10W
L503	1-414-189-31	INDUCTOR 100uH		R114	1-216-073-00	METAL CHIP 10K 5%	1/10W
L560	1-414-189-31	INDUCTOR 100uH		R115	1-216-089-00	METAL CHIP 47K 5%	1/10W
L574	1-414-189-31	INDUCTOR 100uH		R116	1-216-089-00	METAL CHIP 47K 5%	1/10W
L701	1-410-501-11	INDUCTOR 2.2uH		R117	1-216-089-00	METAL CHIP 47K 5%	1/10W
L702	1-414-187-11	INDUCTOR 47uH		R118	1-216-089-00	METAL CHIP 47K 5%	1/10W
L704	1-414-179-21	INDUCTOR 2.2uH		R119	1-216-295-00	METAL CHIP 0 5%	1/10W
< PHOTO INTERRUPTER >				R120	1-216-295-00	METAL CHIP 0 5%	1/10W
PH100	8-749-010-19	PHOTO INTERRUPTER GP3S113		R121	1-216-295-00	METAL CHIP 0 5%	1/10W
PH101	8-749-010-20	PHOTO INTERRUPTER GP3S114		R122	1-216-295-00	METAL CHIP 0 5%	1/10W
< IC LINK >				R123	1-216-097-91	METAL GLAZE 100K 5%	1/10W
△ PS130	1-533-586-31	LINK, IC		R124	1-216-049-00	METAL CHIP 1K 5%	1/10W
< TRANSISTOR >				R125	1-216-049-00	METAL CHIP 1K 5%	1/10W
Q100	8-729-025-92	PHOTO TRANSISTOR PT380F		R126	1-216-025-91	METAL GLAZE 100 5%	1/10W
Q101	8-729-025-92	PHOTO TRANSISTOR PT380F		R127	1-216-025-91	METAL GLAZE 100 5%	1/10W
Q102	8-729-281-53	TRANSISTOR 2SC1815-GR		R128	1-216-049-00	METAL CHIP 1K 5%	1/10W
Q161	8-729-901-06	TRANSISTOR DTA144EK		R130	1-216-089-00	METAL CHIP 47K 5%	1/10W
Q201	8-729-010-29	TRANSISTOR MSD601-RST1		R131	1-216-081-00	METAL CHIP 22K 5%	1/10W
Q202	8-729-230-49	TRANSISTOR 2SC2712-YG		R132	1-216-065-00	METAL CHIP 4.7K 5%	1/10W
Q205	8-729-421-19	TRANSISTOR UN2213		R133	1-216-073-00	METAL CHIP 10K 5%	1/10W
Q206	8-729-421-19	TRANSISTOR UN2213		R159	1-216-049-00	METAL CHIP 1K 5%	1/10W
Q207	8-729-421-19	TRANSISTOR UN2213		R160	1-216-049-00	METAL CHIP 1K 5%	1/10W
Q208	8-729-010-29	TRANSISTOR MSD601-RST1		R161	1-216-073-00	METAL CHIP 10K 5%	1/10W
Q209	8-729-010-05	TRANSISTOR MSB709-RT1		R162	1-216-073-00	METAL CHIP 10K 5%	1/10W
Q210	8-729-010-29	TRANSISTOR MSD601-RST1		R163	1-216-089-00	METAL CHIP 47K 5%	1/10W
Q211	8-729-010-29	TRANSISTOR MSD601-RST1		R164	1-216-041-00	METAL CHIP 470 5%	1/10W
Q301	8-729-010-29	TRANSISTOR MSD601-RST1		R165	1-216-041-00	METAL CHIP 470 5%	1/10W
Q361	8-729-821-31	TRANSISTOR 2SD1012-FG-TPE4		R166	1-216-073-00	METAL CHIP 10K 5%	1/10W
Q362	8-729-821-31	TRANSISTOR 2SD1012-FG-TPE4		R167	1-216-077-00	METAL CHIP 15K 5%	1/10W
Q363	8-729-821-31	TRANSISTOR 2SD1012-FG-TPE4		R168	1-216-073-00	METAL CHIP 10K 5%	1/10W
Q364	8-729-010-05	TRANSISTOR MSB709-RT1		R169	1-216-089-00	METAL CHIP 47K 5%	1/10W
Q501	8-729-010-29	TRANSISTOR MSD601-RST1		R170	1-216-073-00	METAL CHIP 10K 5%	1/10W
Q502	8-729-010-05	TRANSISTOR MSB709-RT1		R171	1-216-073-00	METAL CHIP 10K 5%	1/10W
Q503	8-729-010-05	TRANSISTOR MSB709-RT1		R172	1-216-049-00	METAL CHIP 1K 5%	1/10W
Q504	8-729-901-06	TRANSISTOR DTA144EK		R173	1-216-089-00	METAL CHIP 47K 5%	1/10W
Q505	8-729-010-05	TRANSISTOR MSB709-RT1		R174	1-216-041-00	METAL CHIP 470 5%	1/10W
Q510	8-729-421-19	TRANSISTOR UN2213		R175	1-216-041-00	METAL CHIP 470 5%	1/10W
Q560	8-729-010-05	TRANSISTOR MSB709-RT1		R176	1-216-057-00	METAL CHIP 2.2K 5%	1/10W
Q732	8-729-424-67	TRANSISTOR UN2216		R177	1-216-049-00	METAL CHIP 1K 5%	1/10W
Q733	8-729-424-67	TRANSISTOR UN2216		R178	1-216-049-00	METAL CHIP 1K 5%	1/10W
Q734	8-729-424-67	TRANSISTOR UN2216		R179	1-216-049-00	METAL CHIP 1K 5%	1/10W
Q735	8-729-010-05	TRANSISTOR MSB709-RT1		R180	1-216-049-00	METAL CHIP 1K 5%	1/10W
Q736	8-729-106-68	TRANSISTOR 2SD1615A-GP					

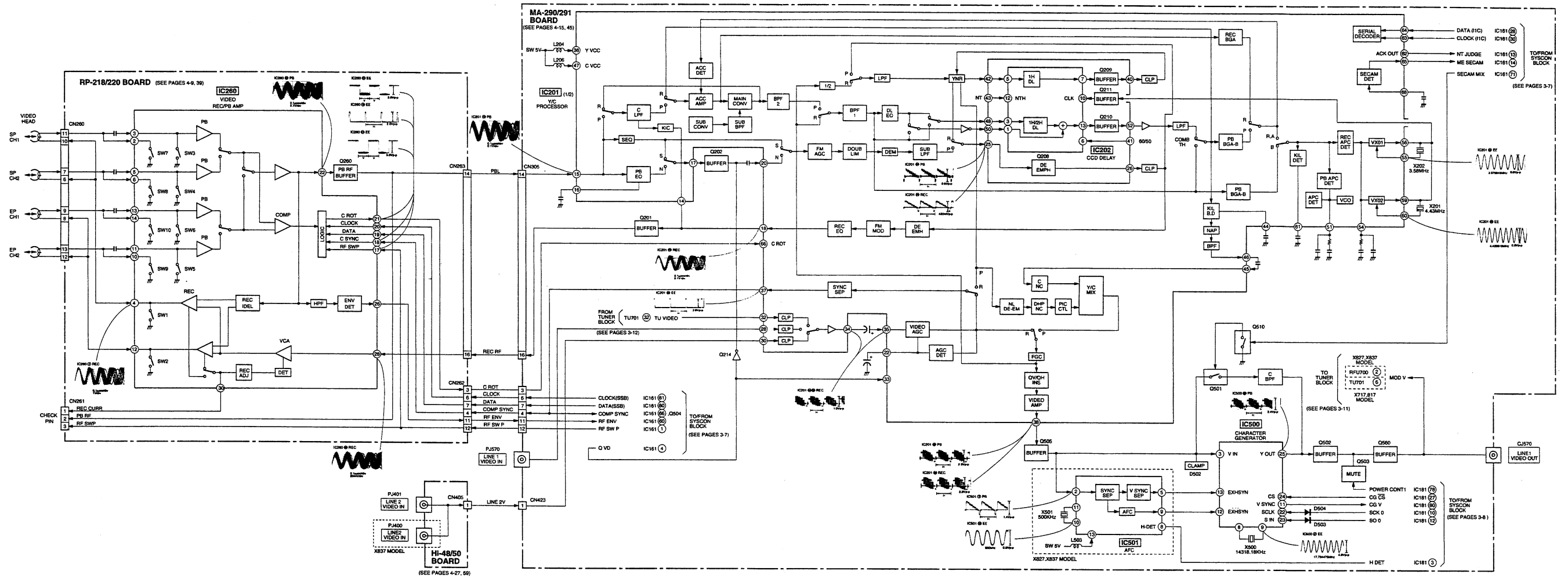
**Note :** The components identified by mark △ or dotted line with mark △ are critical for safety. Replace only with part number specified.

SECTION 3  
BLOCK DIAGRAMS

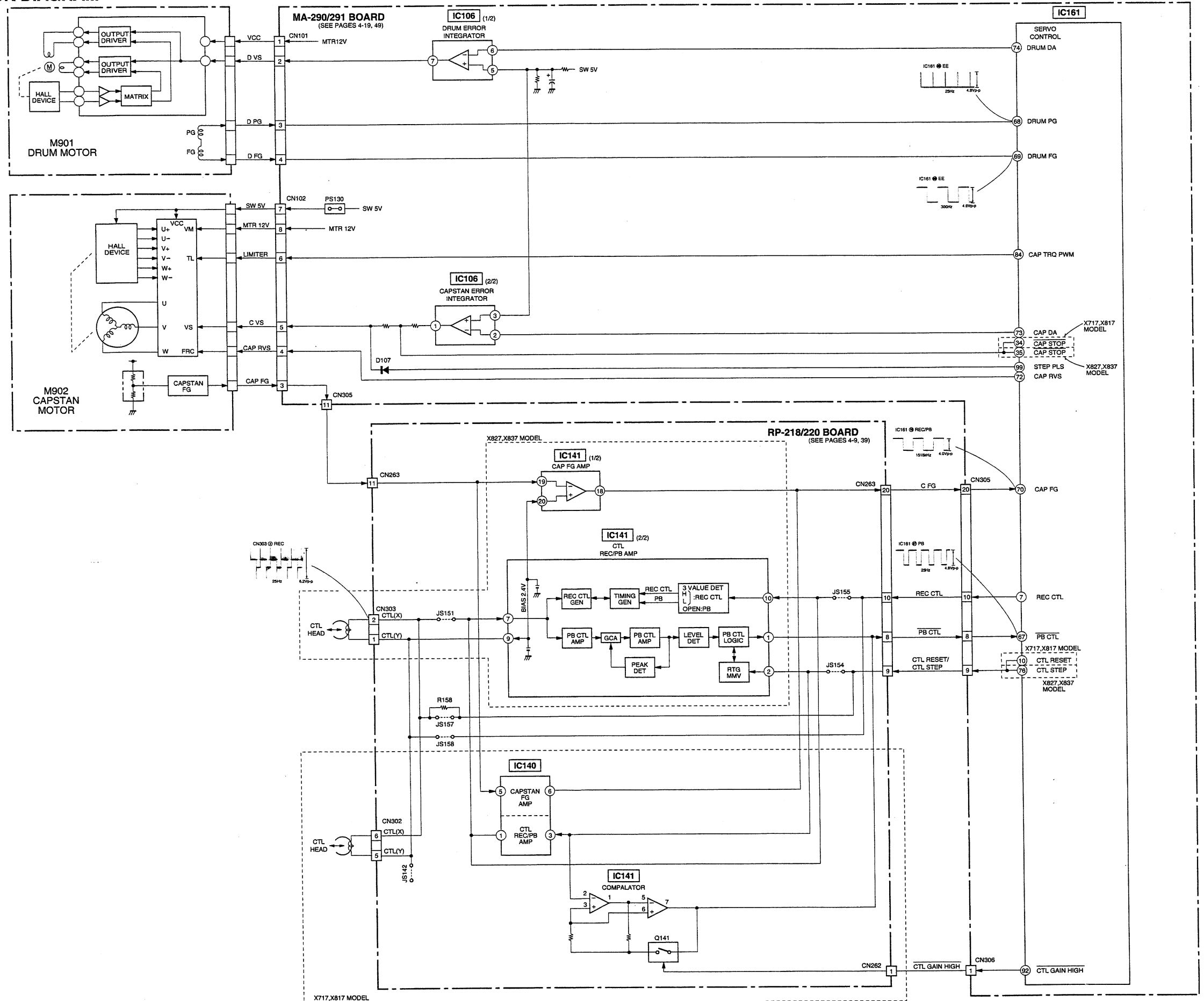
3-1. OVERALL BLOCK DIAGRAM



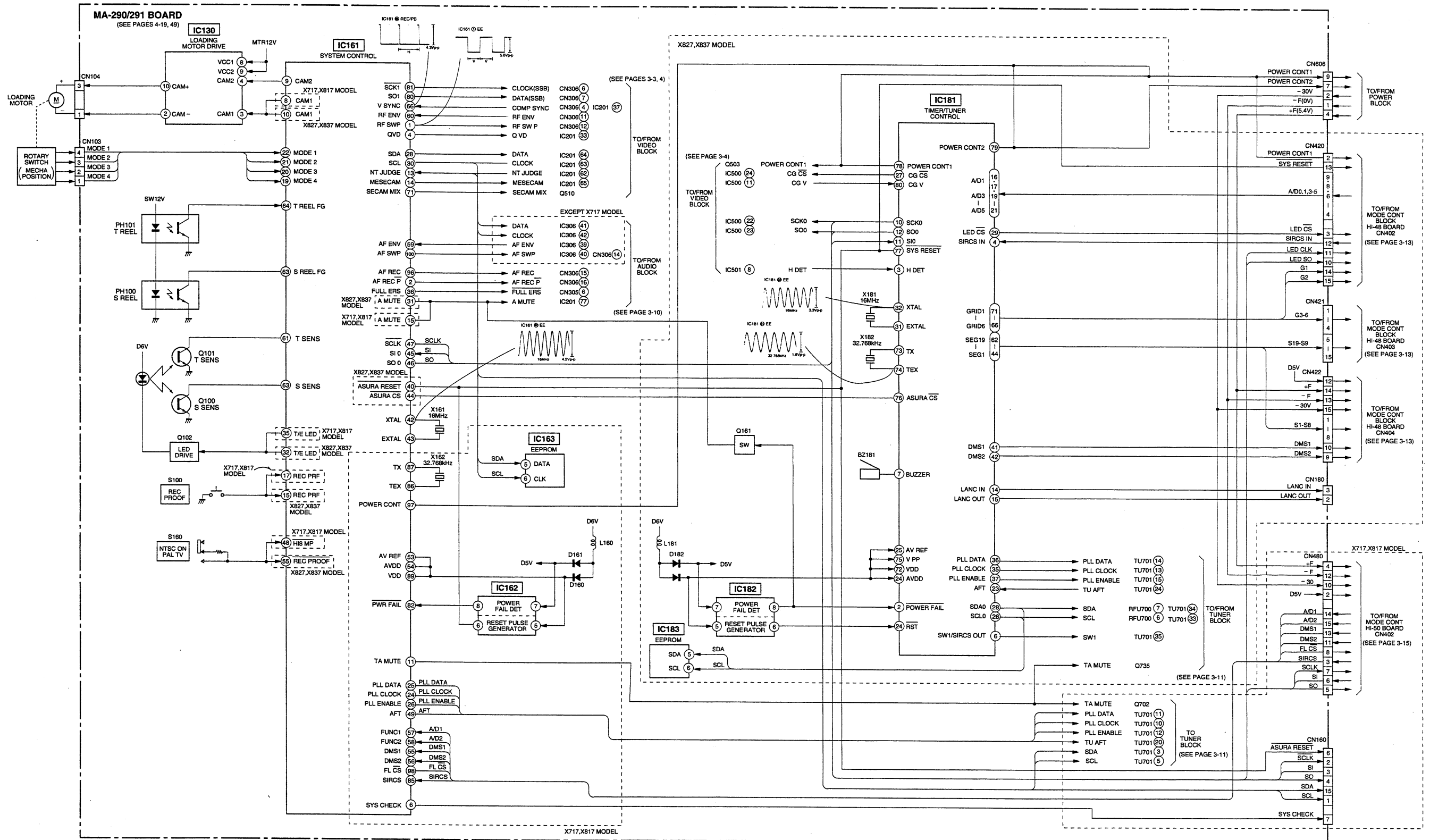
3-2. VIDEO BLOCK DIAGRAM



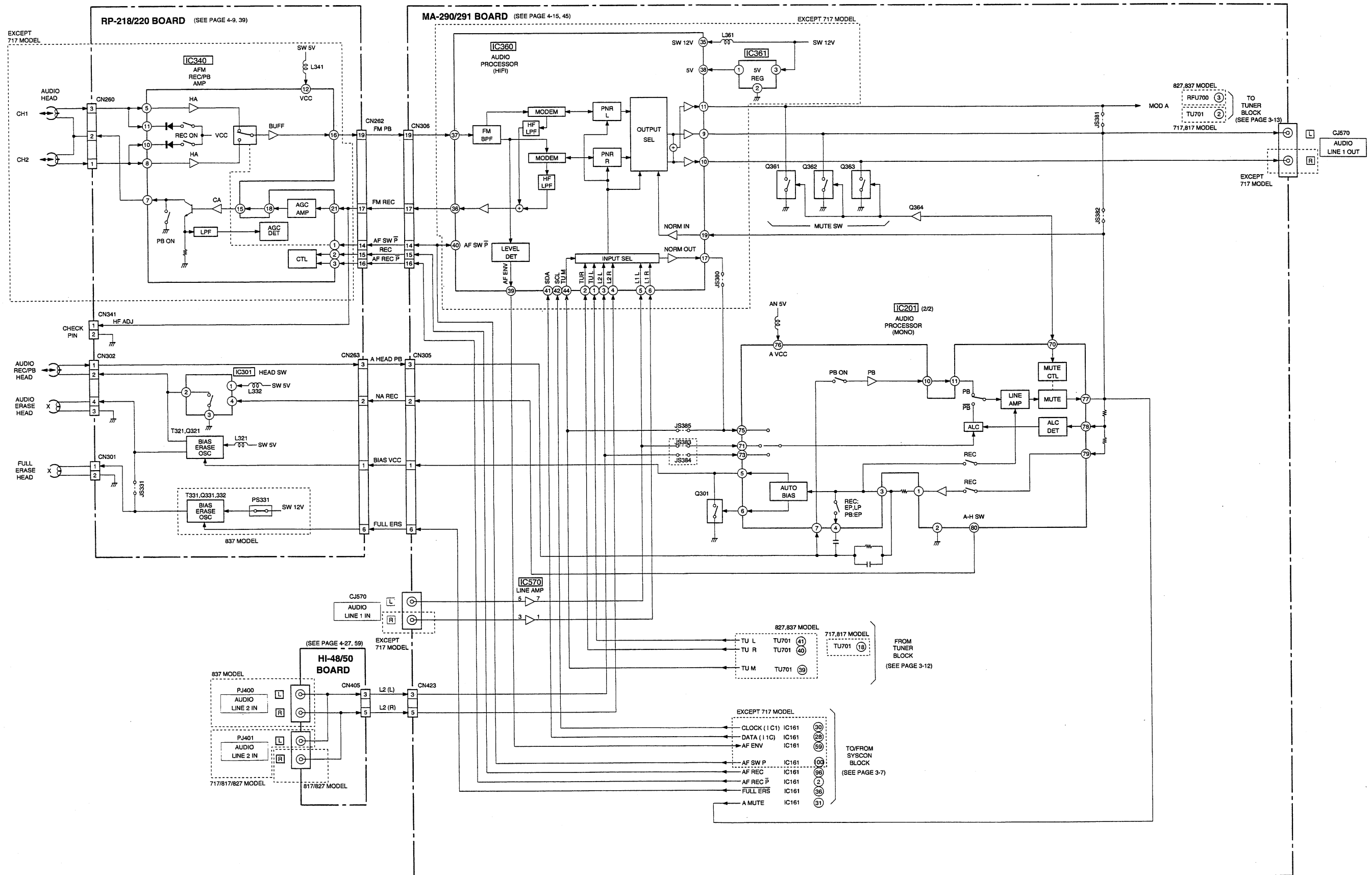
3-3. SERVO BLOCK DIAGRAM



3-4. SYSTEM CONTROL BLOCK DIAGRAM

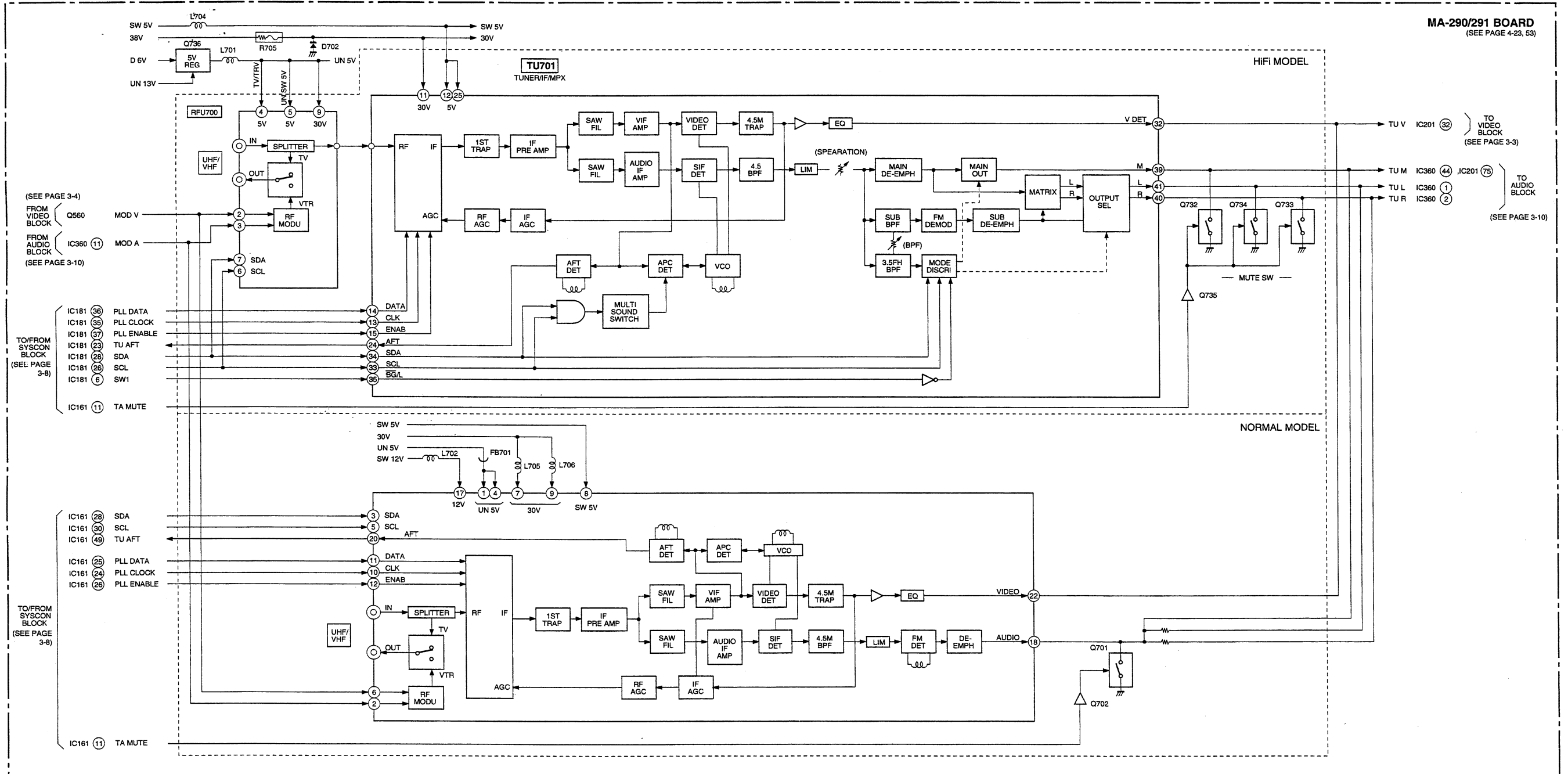


3-5. AUDIO BLOCK DIAGRAM

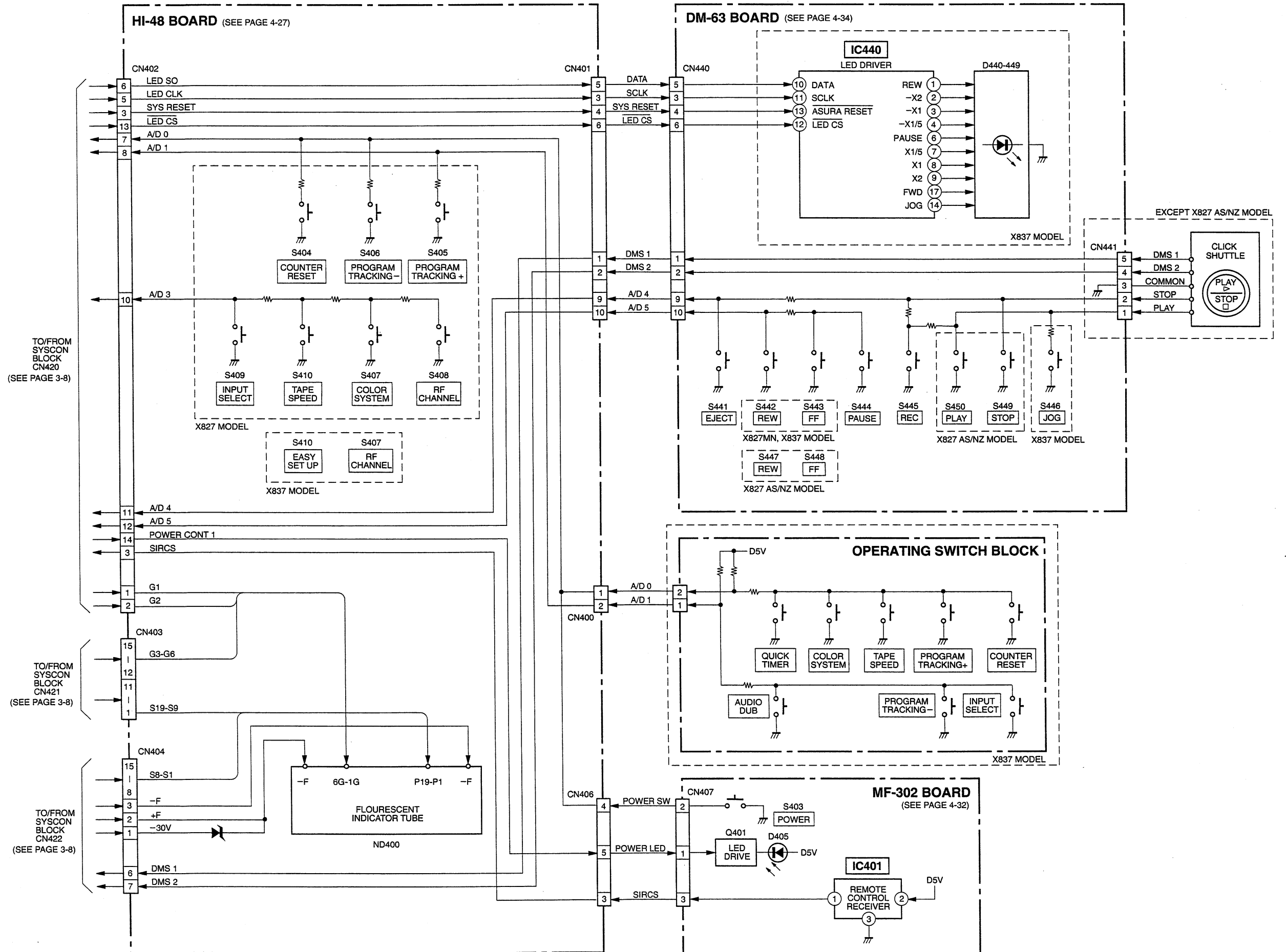




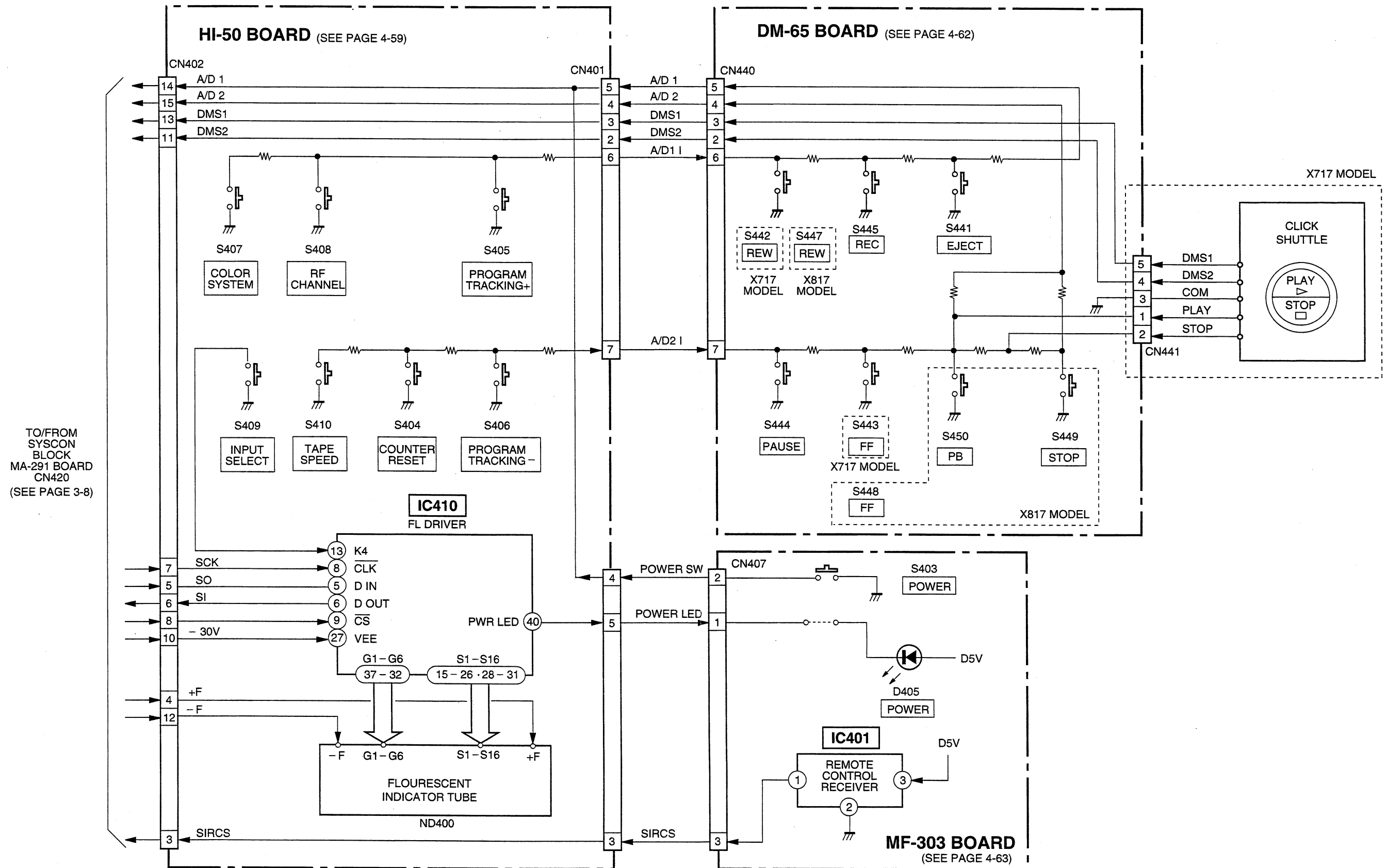
3-6. TUNER BLOCK DIAGRAM



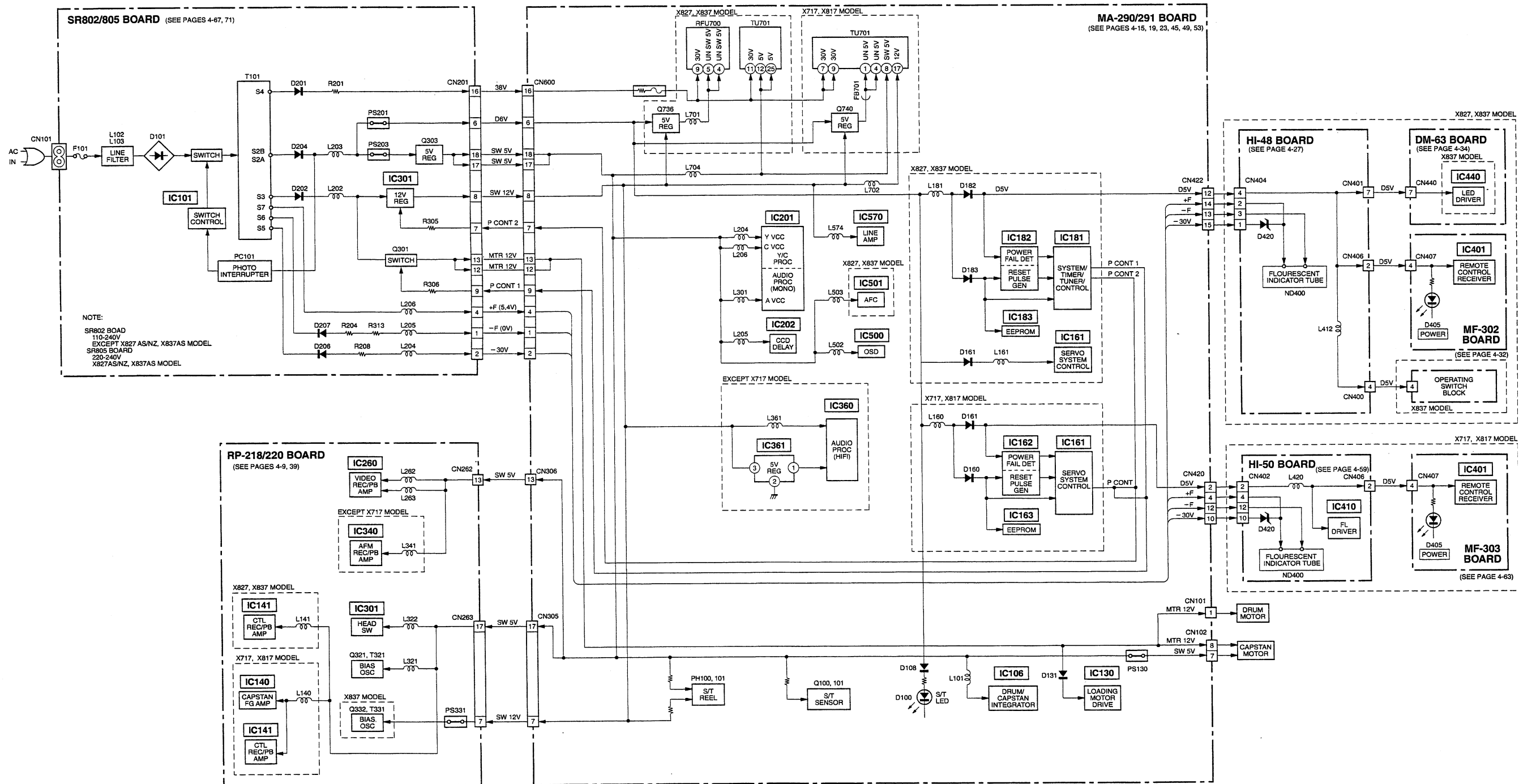
3-7. SLV-X827/X837 MODE CONTROL BLOCK DIAGRAM



3-8. SLV-X717/X817 MODE CONTROL BLOCK DIAGRAM

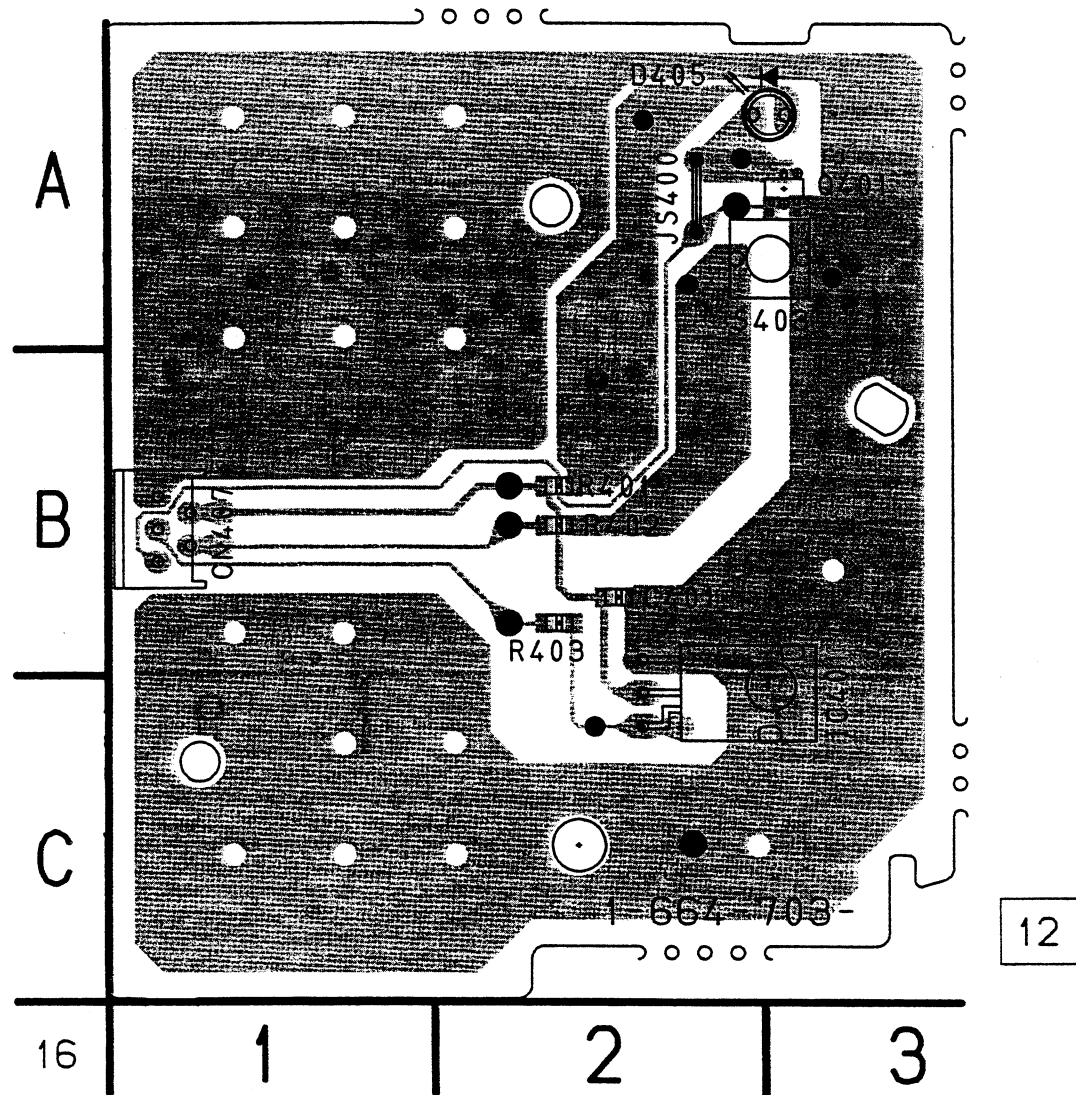


3-9. POWER SUPPLY BLOCK DIAGRAM

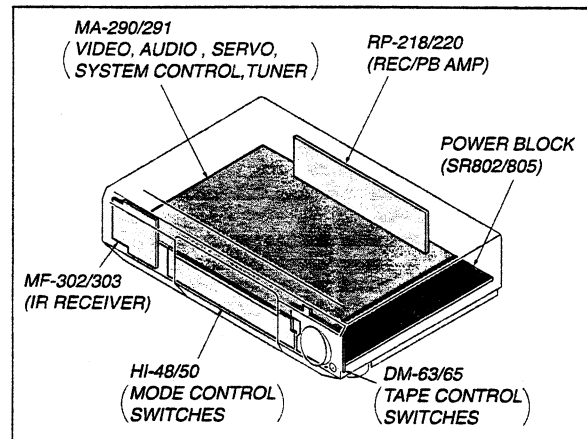
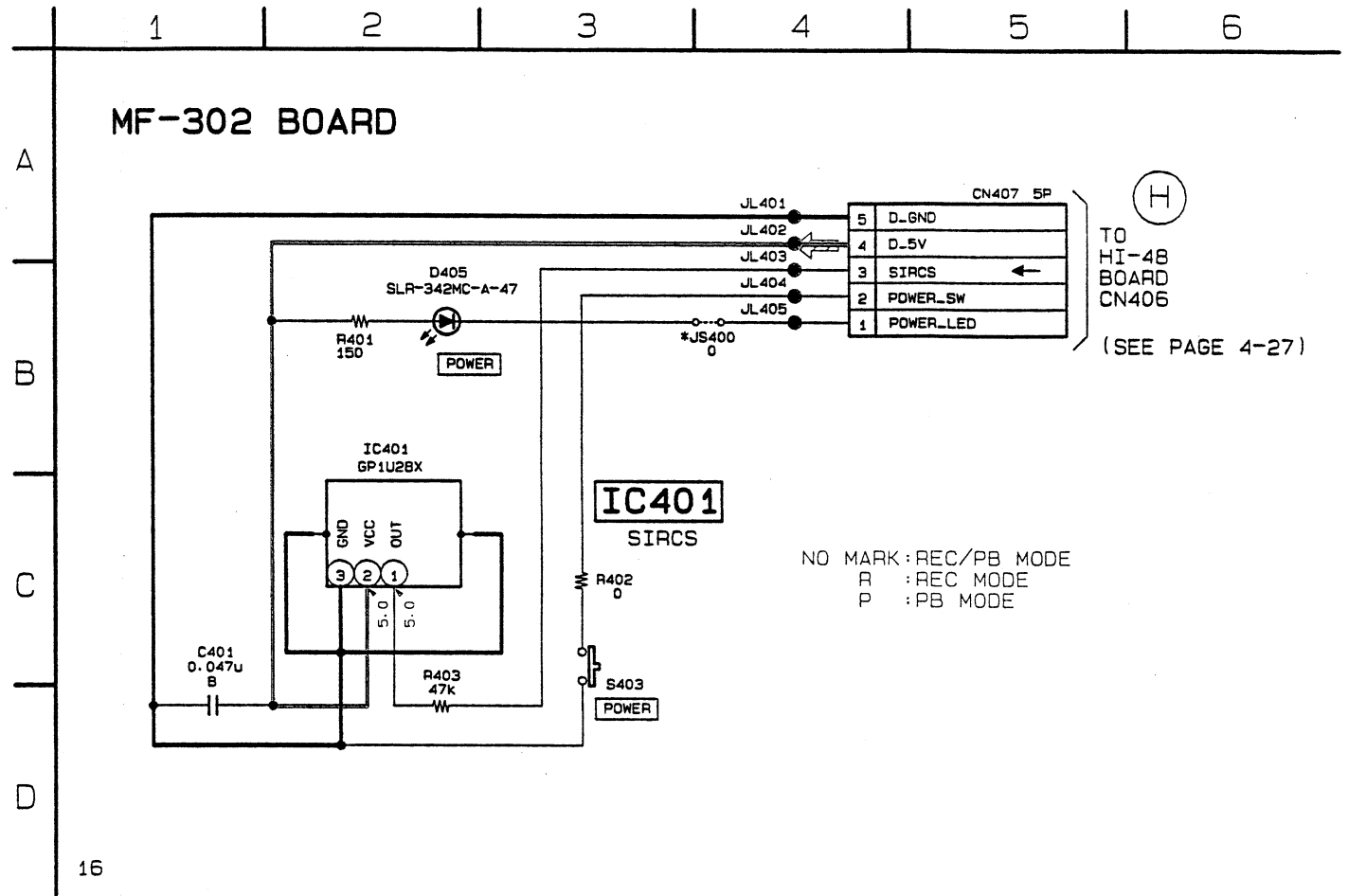


There are few cases that the part printed on this diagram isn't mounted in this model.

# MF-302 BOARD (CONDUCTOR SIDE)

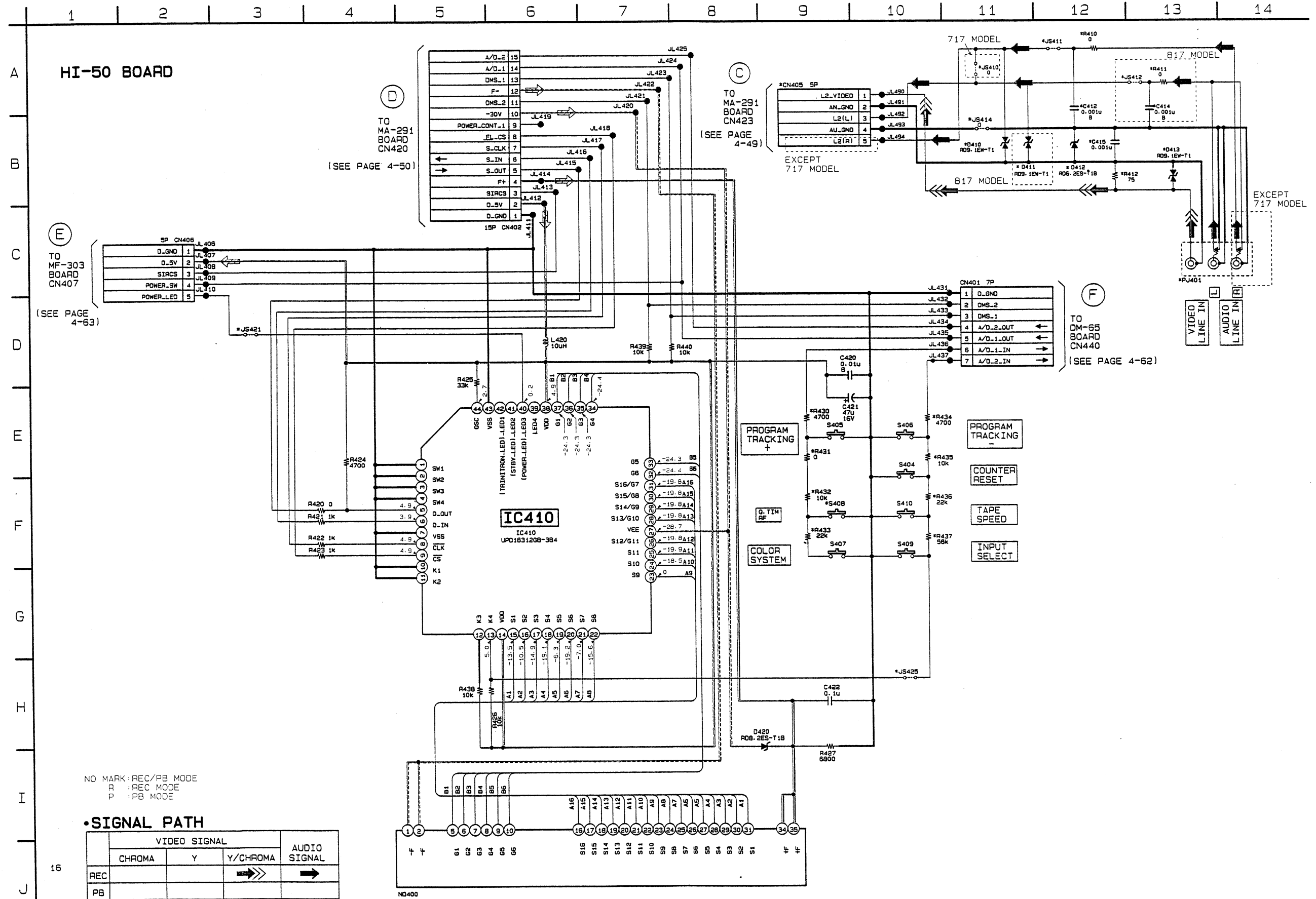


# MF-302 BOARD

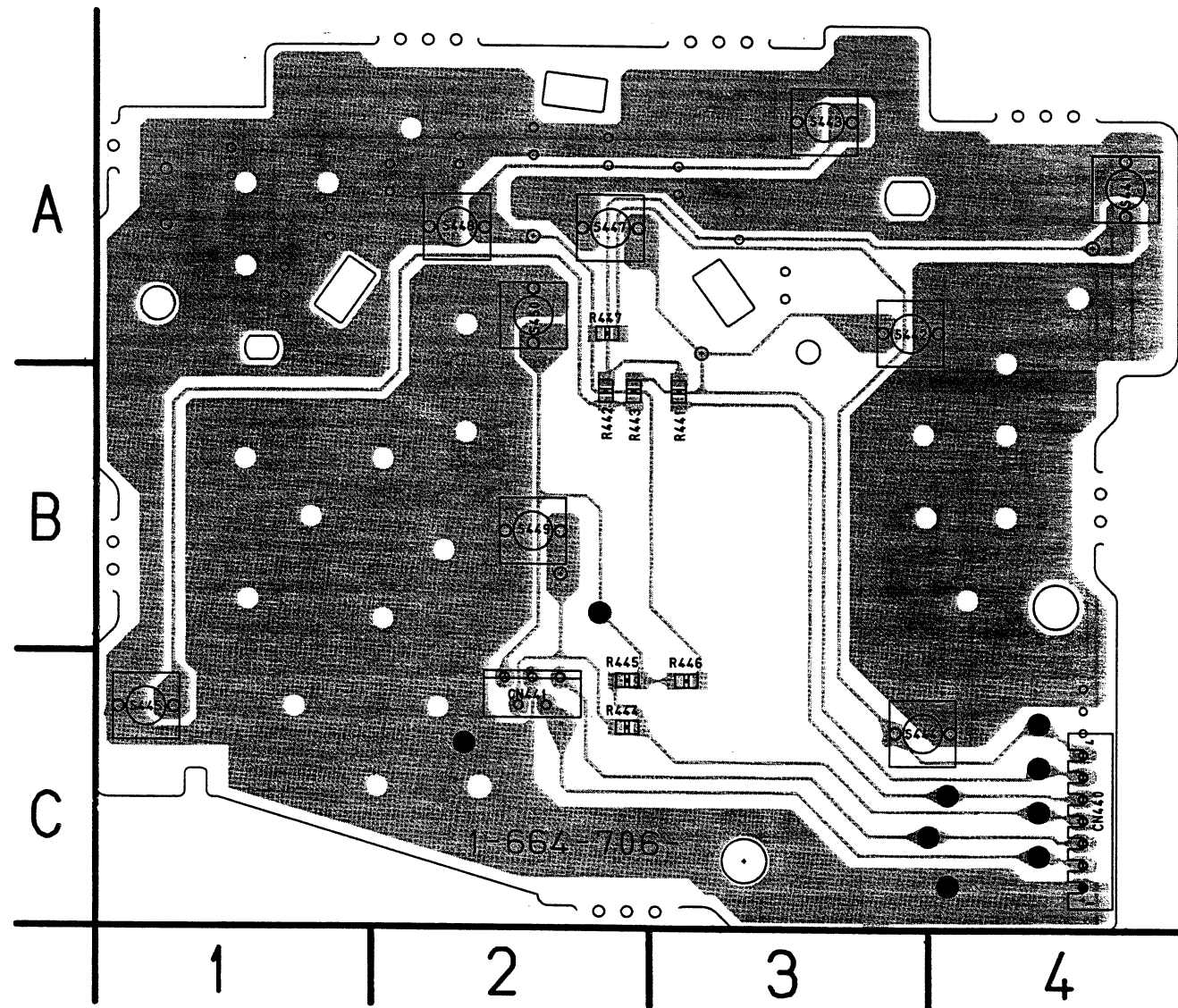


HI-50 (MODE CONTROL SWITCHES) SCHEMATIC DIAGRAM  
— Ref. No. HI-50 Board; 4,000 Series —

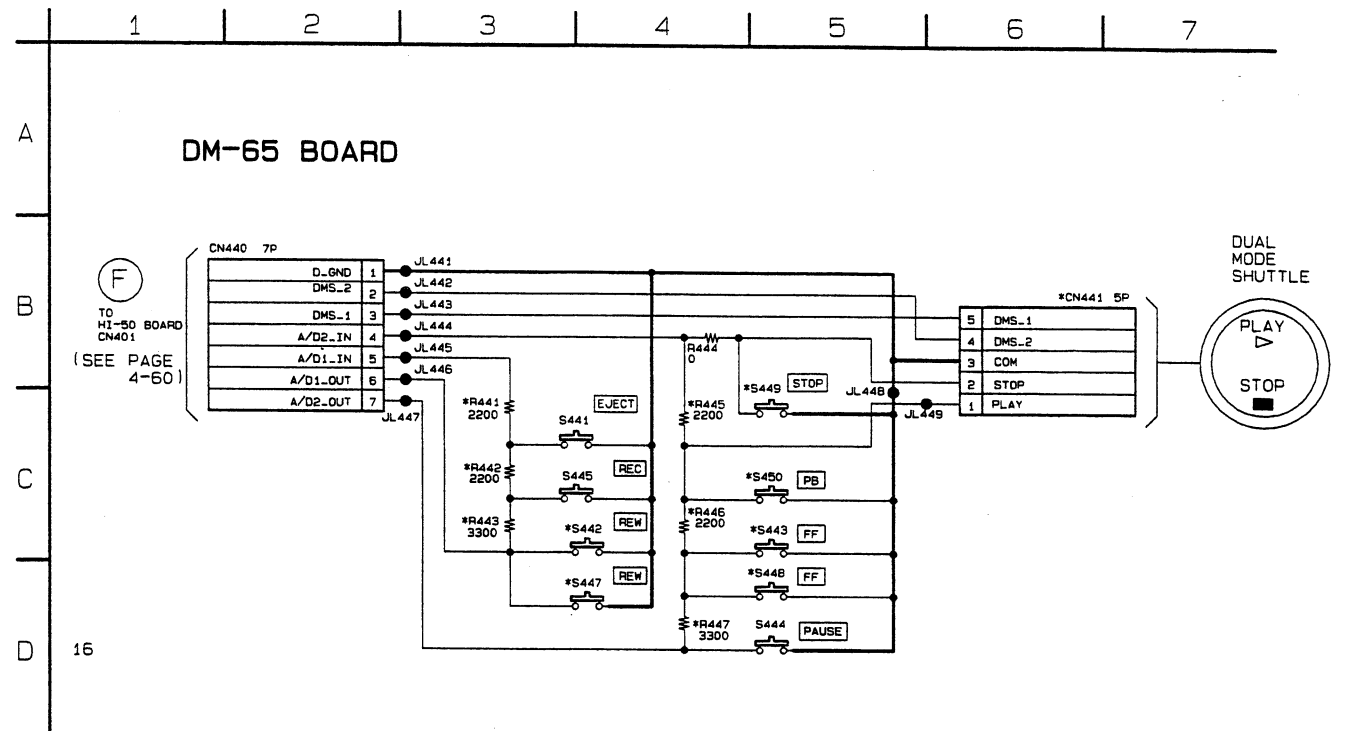
• See page 4-57 for HI-50 BOARD printed wiring board.



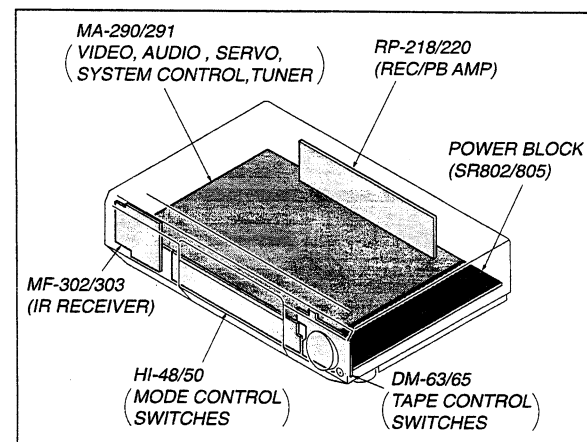
# DM-65 BOARD (CONDUCTOR SIDE)



There are few cases that the part printed on this diagram isn't mounted in this model.



12



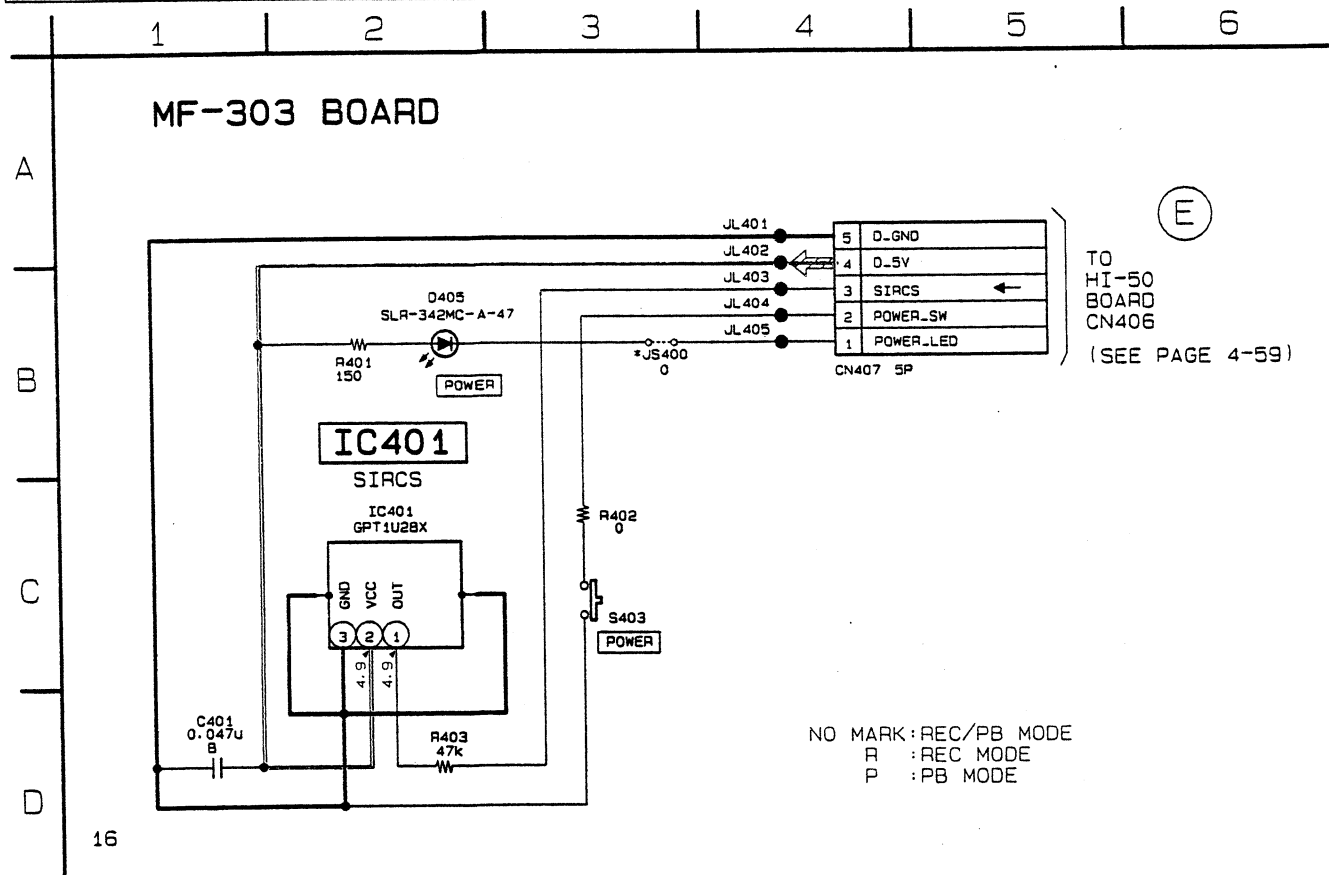


SLV-X717ME/X717PS/X717SG/X817ME/X817PS/X817SG/  
X827AS/X827MN/X827NZ/X837AS/X837ME/X837MN

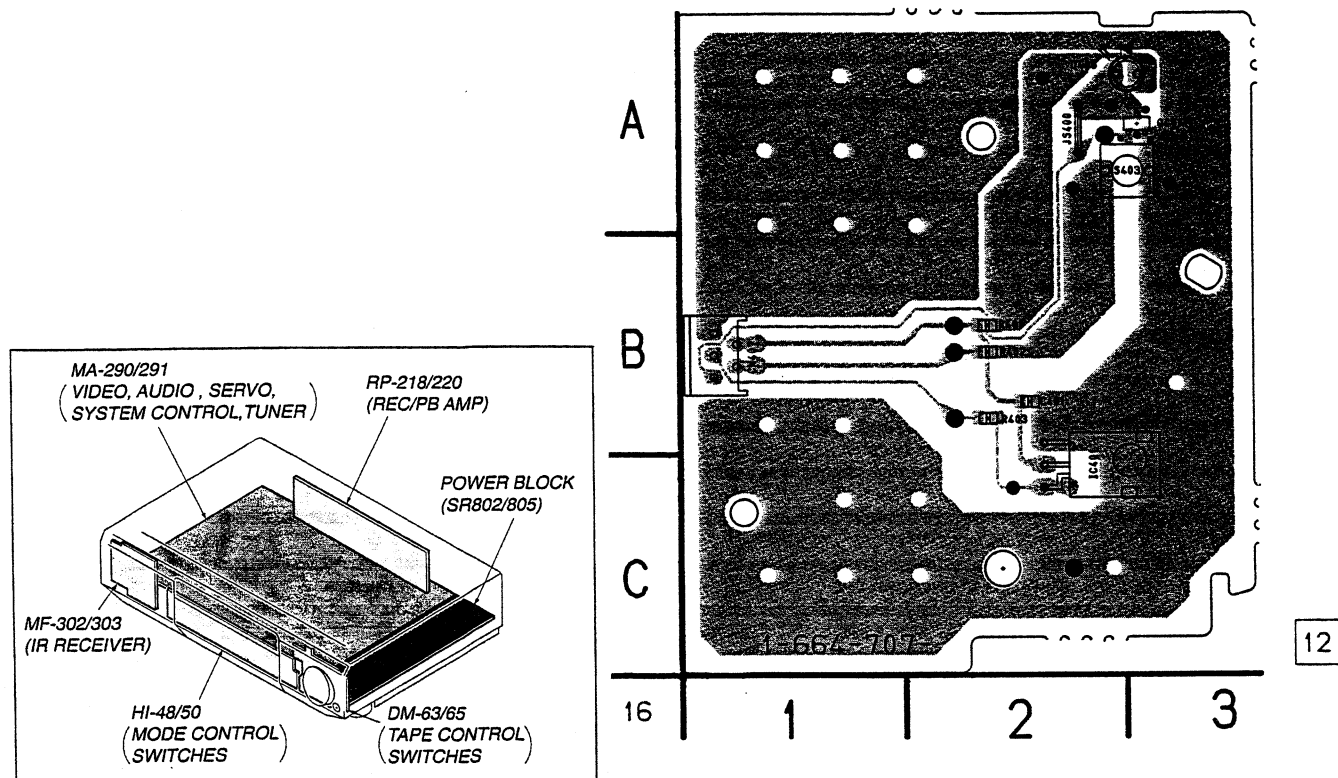
MF-303 (IR. RECEIVER) PRINTED WIRING BOARD AND SCHEMATIC DIAGRAM

— Ref. No. MF-303 Board; 4,000 Series —

There are few cases that the part printed on this diagram isn't mounted in this model.



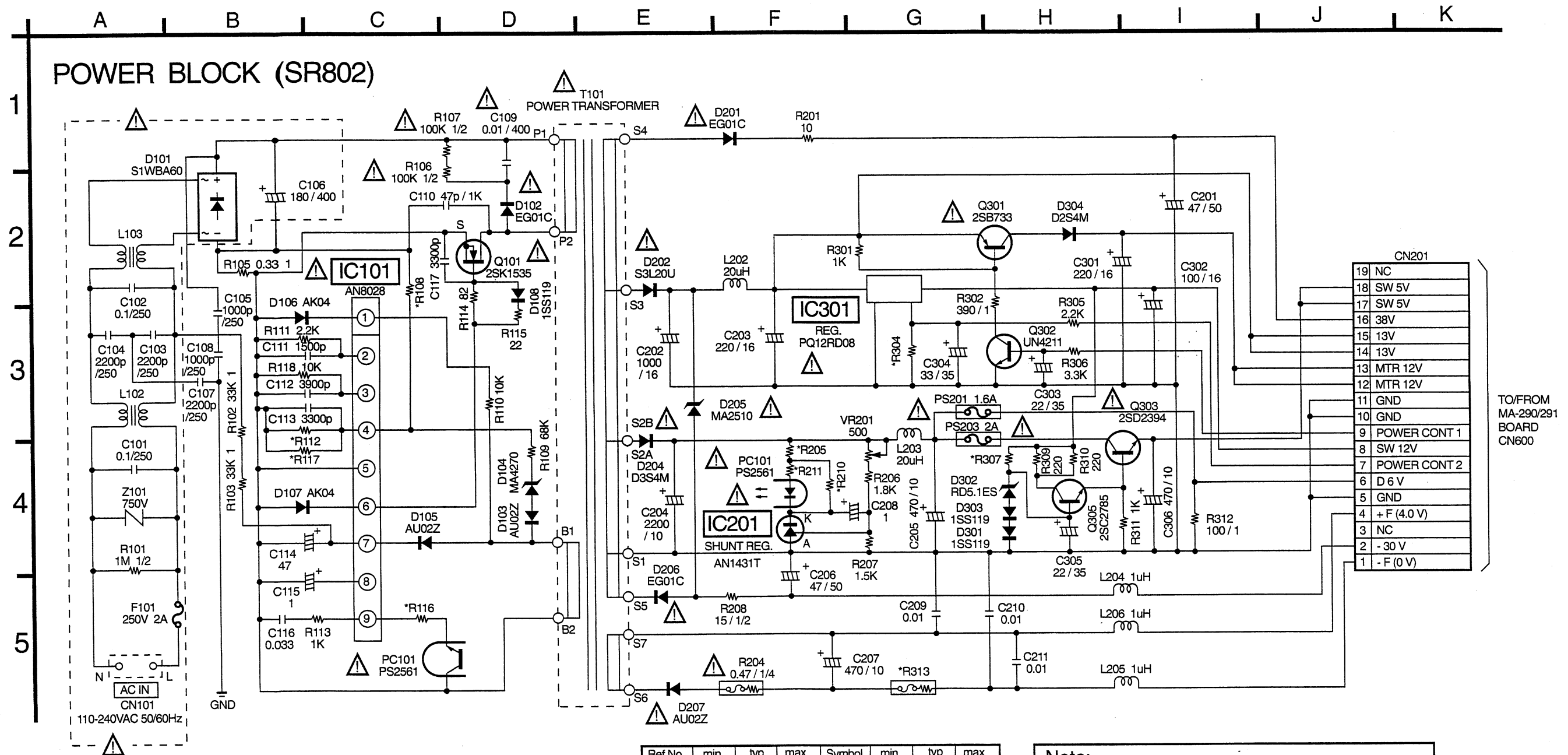
MF-303 BOARD (CONDUCTOR SIDE)





POWER BLOCK SR802 (EXCEPT SLV-X827 AS/X827NZ/X837AS) SCHEMATIC DIAGRAM  
— Ref. No. SR802 Board; 5,000 Series —

• See page 4-65 for SR802 BOARD printed wiring board.

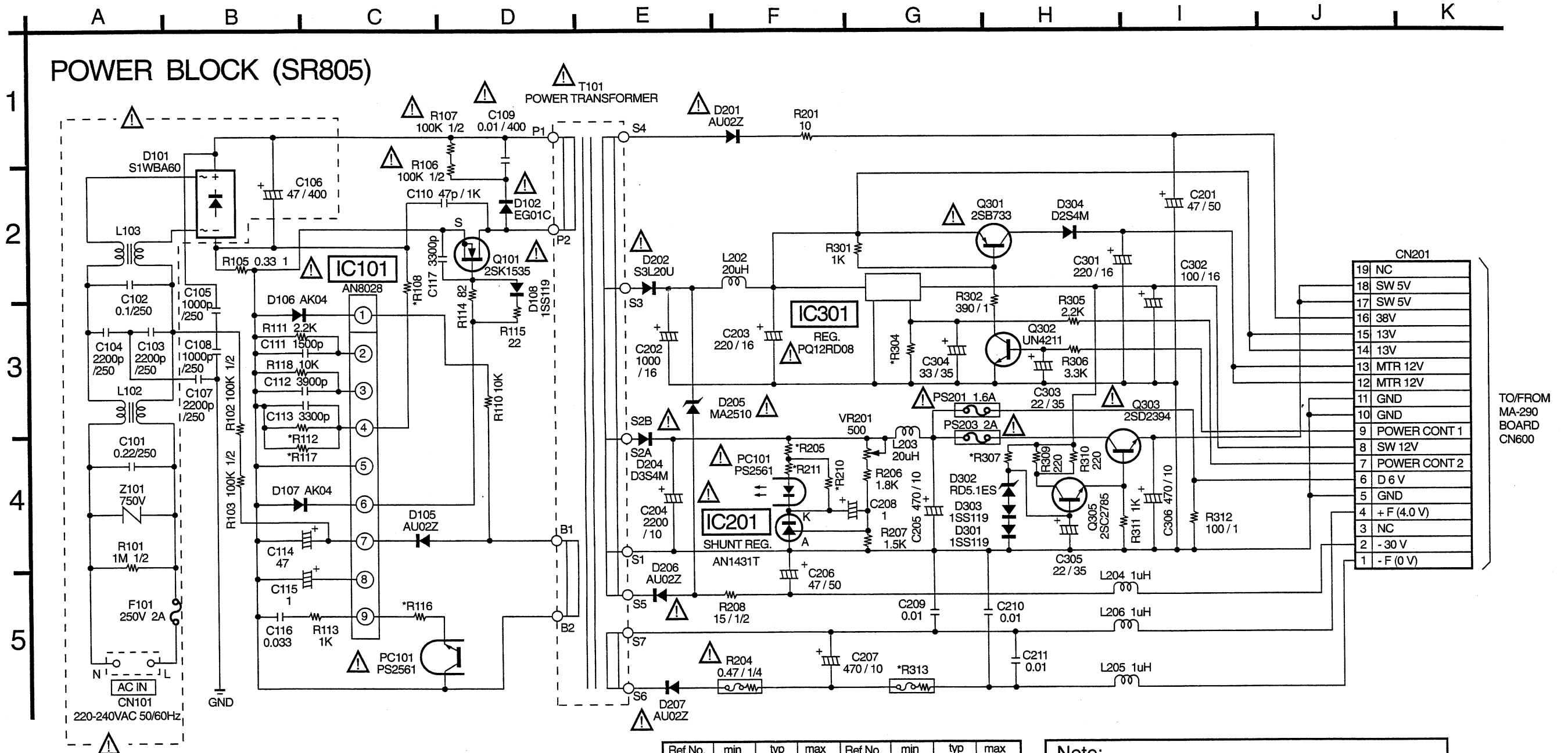


Ref.No.	min	typ	max	Symbol	min	typ	max
*R108	470 1/2	470 1/2	500 1/2	*R210	—	3.3K	5.6K
*R112	270	330	330	*R211	220	1K	1.5K
*R116	1.5K	1.8K	2.2K	*R304	—	—	—
*R117	—	—	100K	*R307	380	560	1K
*R205	—	—	—	*R313	2.2 1/4	2.7 1/4	3.9 1/4

**Note:**  
The components identified by mark  $\Delta$  or dotted line with mark  $\Delta$  are critical for safety.  
Replace only with part number specified.

POWER BLOCK SR805 (SLV-X827AS/X827NZ/X837AS) SCHEMATIC DIAGRAM  
— Ref. No. SR805 Board; 6,000 Series —

• See page 4-69 for SR805 BOARD printed wiring board.



Ref.No.	min	typ	max	Ref.No.	min	typ	max
*R108	330 1/2	470 1/2	680 1/2	*R210	—	3.3K	5.6K
*R112	270	330	330	*R211	220	1K	1.5K
*R116	1.5K	1.8K	2.2K	*R304	—	—	—
*R117	—	—	100K	*R307	380	560	1K
*R205	—	—	—	*R313	2.2 1/4	2.7 1/4	3.9 1/4

Note:  
The components identified by mark  $\Delta$  or dotted line with mark  $\Delta$  are critical for safety.  
Replace only with part number specified.